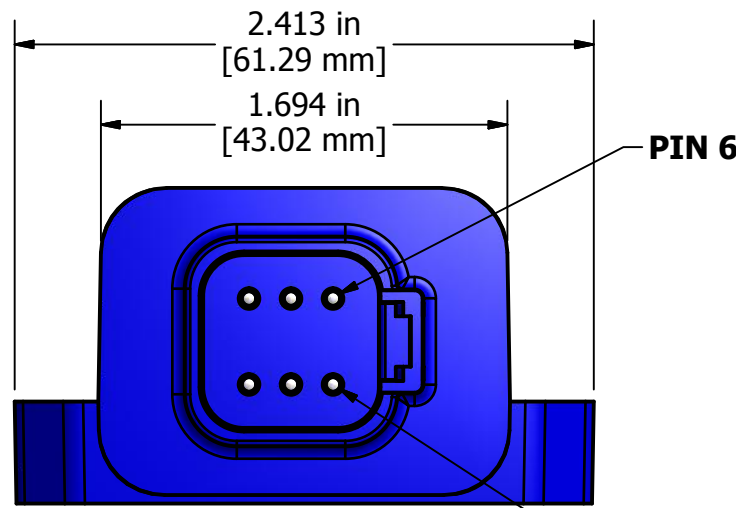
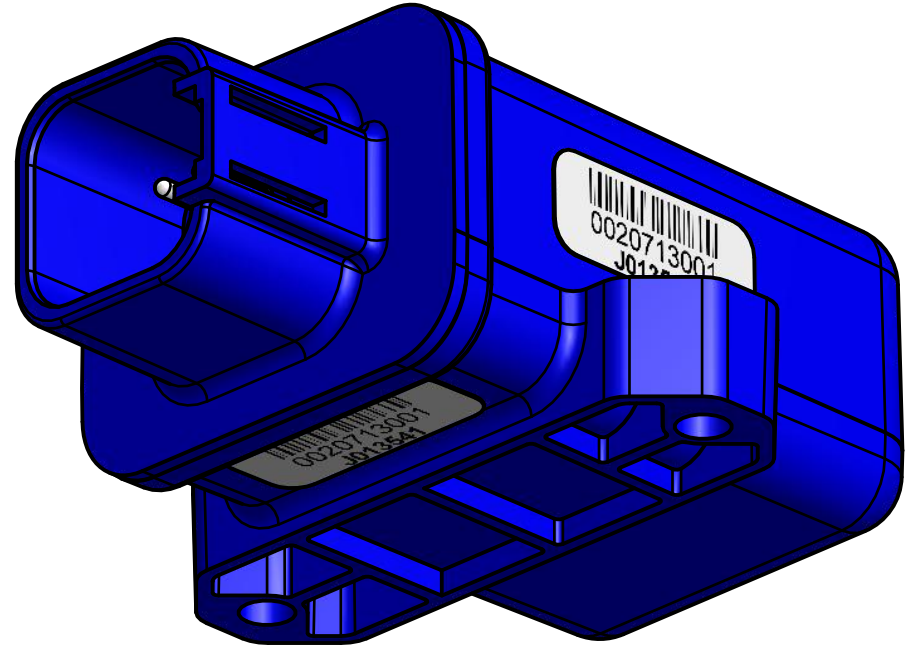
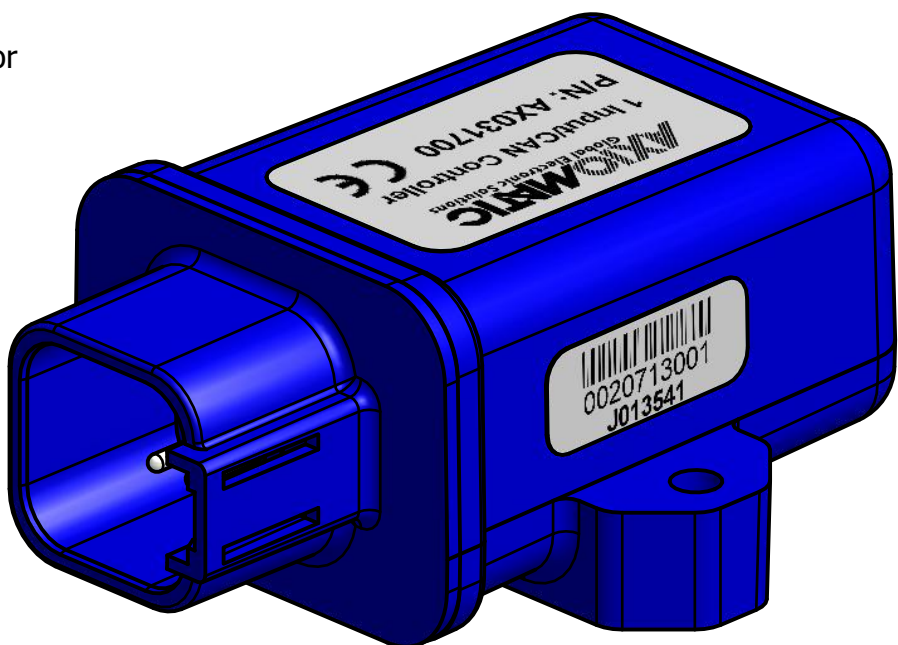
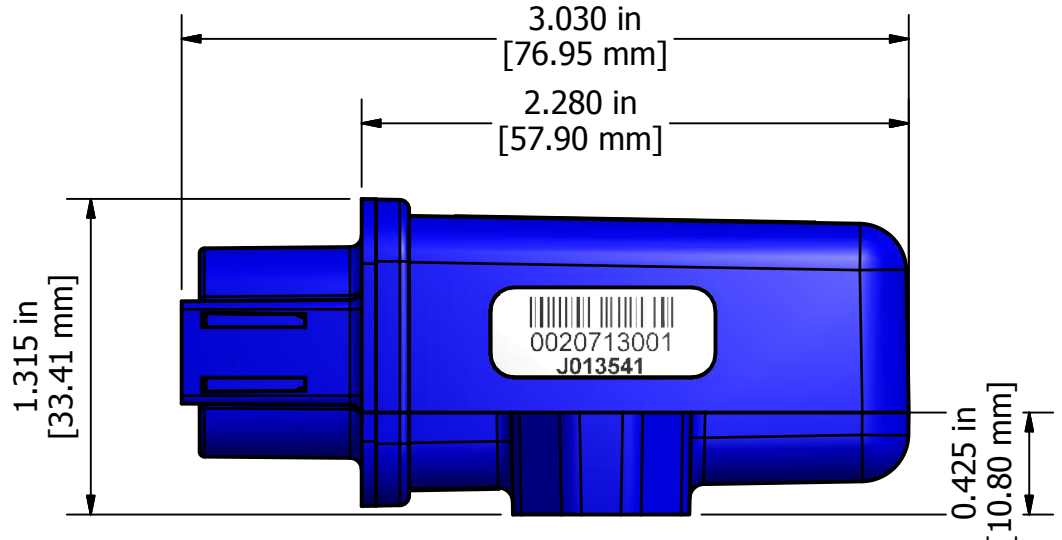


Ø0.172 in [4.37 mm] to suit a #8 or M4 bolt (2)



molded in TE Deutsch DT04-6P receptacle mates with DT06-6S plug



label detail

TOLERANCES			
fabrication	machining		
X.XXX +/- 0.015	X.XXX +/- 0.005		
X.XX +/- 0.031	X.XX +/- 0.010		
X.X +/- 0.031	X.X +/- 0.015		
fractional +/- 0.031	fractional +/- 0.031		

<small>PROPRIETARY</small> THE INFORMATION CONTAINED IN THIS DRAWING IS CONFIDENTIAL AND PROPRIETARY AND REMAINS THE EXCLUSIVE PROPERTY OF AXIOMATIC TECHNOLOGIES CORPORATION. THIS DRAWING MAY NOT BE USED, REPRODUCED IN WHOLE OR IN PART, NOR REVEALED TO OTHERS WITHOUT THE PRIOR WRITTEN CONSENT OF AXIOMATIC TECHNOLOGIES CORPORATION. BY ACCEPTANCE OF THIS DRAWING, THE BEARER AGREES TO THESE CONDITIONS.		<small>AXIOMATIC TECHNOLOGIES CORPORATION</small> AXIOMATIC Global Electronic Solutions 5915 WALLACE ST. MISSISSAUGA, ON CANADA L4Z1Z8 905-602-9270	
MATERIAL	DRAWN	DATE	TITLE
glass filled PA66 enclosure, ultrasonically welded	TF	4/6/2018	One Input to CAN Controller
	CHECKED	DATE	DWG REV
			D1
	APPROVED	DATE	DWG NO
			AX031700-MD
			PART NO
			AX031700
			SHEET
			1 of 1