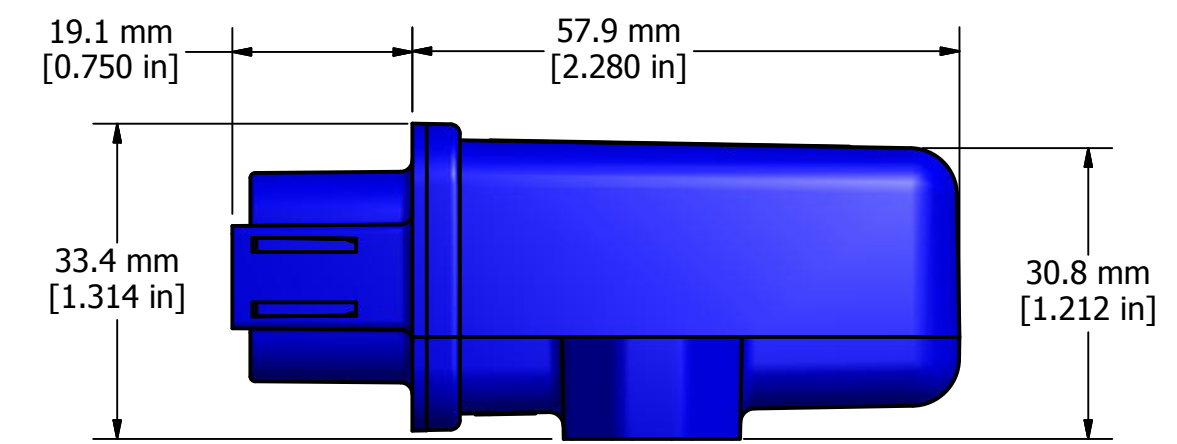
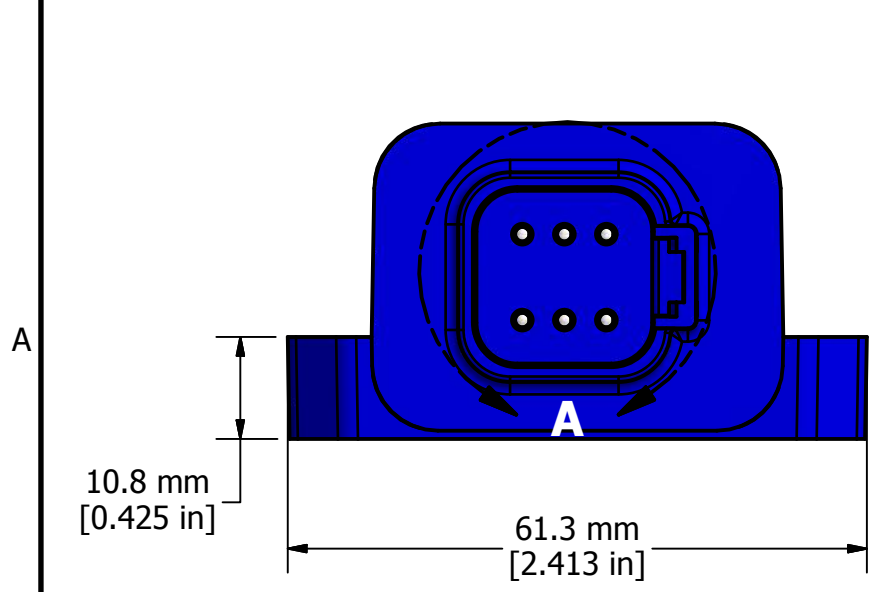


DETAIL A
 molded in Deutsch IPD DT04-6P receptacle
 mates with: Deutsch IPD DT06-6S



label detail

<small>PROPRIETARY</small> THE INFORMATION CONTAINED IN THIS DRAWING IS CONFIDENTIAL AND PROPRIETARY AND REMAINS THE EXCLUSIVE PROPERTY OF AXIOMATIC TECHNOLOGIES CORPORATION. THIS DRAWING MAY NOT BE USED, REPRODUCED IN WHOLE OR IN PART, NOR REVEALED TO OTHERS WITHOUT THE PRIOR WRITTEN CONSENT OF AXIOMATIC TECHNOLOGIES CORPORATION. BY ACCEPTANCE OF THIS DRAWING, THE BEARER AGREES TO THESE CONDITIONS.		<small>AXIOMATIC TECHNOLOGIES CORPORATION</small> AXIOMATIC Global Electronic Solutions 5915 WALLACE ST. MISSISSAUGA, ON CANADA L4Z1Z8 905-602-9270																									
TOLERANCES <table border="1"> <tr> <th colspan="2">fabrication</th> <th colspan="2">machining</th> </tr> <tr> <td>X.XXX</td> <td>+/- 0.015</td> <td>X.XXX</td> <td>+/- 0.001</td> </tr> <tr> <td>X.XX</td> <td>+/- 0.031</td> <td>X.XX</td> <td>+/- 0.005</td> </tr> <tr> <td>X.X</td> <td>+/- 0.031</td> <td>X.X</td> <td>+/- 0.015</td> </tr> <tr> <td>fractional</td> <td>+/- 0.031</td> <td>fractional</td> <td>+/- 0.031</td> </tr> </table>		fabrication		machining		X.XXX	+/- 0.015	X.XXX	+/- 0.001	X.XX	+/- 0.031	X.XX	+/- 0.005	X.X	+/- 0.031	X.X	+/- 0.015	fractional	+/- 0.031	fractional	+/- 0.031	MATERIAL PA66 30%GF ultrasonically welded enclosure	DRAWN TF CHECKED DL APPROVED DL	DATE Oct 26-18 DATE DATE 	TITLE 1 Magnetic Pickup Input, CANopen DWG REV D1 SCALE full	DWG NO AX031501-MD PART NO AX031501	PART REV A SHEET 1 of 1
fabrication		machining																									
X.XXX	+/- 0.015	X.XXX	+/- 0.001																								
X.XX	+/- 0.031	X.XX	+/- 0.005																								
X.X	+/- 0.031	X.X	+/- 0.015																								
fractional	+/- 0.031	fractional	+/- 0.031																								