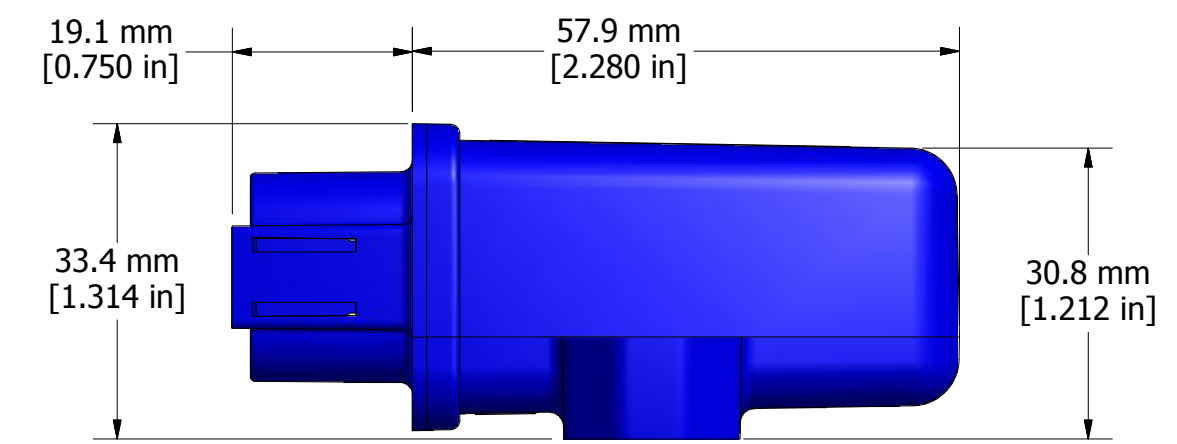
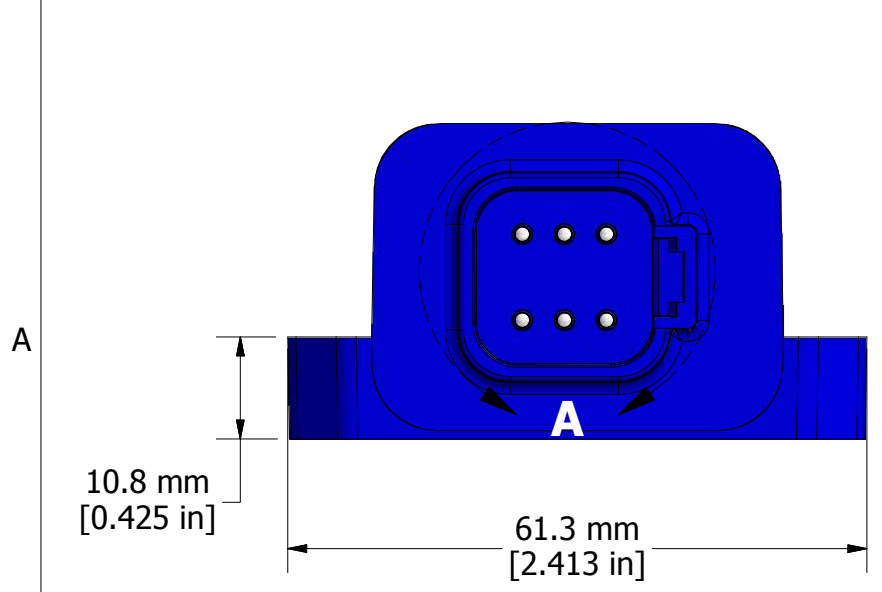


DETAIL A
 molded in Deutsch IPD DT04-6P receptacle
 mates with: Deutsch IPD DT06-6S



label detail

<small>PROPRIETARY</small> THE INFORMATION CONTAINED IN THIS DRAWING IS CONFIDENTIAL AND PROPRIETARY AND REMAINS THE EXCLUSIVE PROPERTY OF AXIOMATIC TECHNOLOGIES CORPORATION. THIS DRAWING MAY NOT BE USED, REPRODUCED IN WHOLE OR IN PART, NOR REVEALED TO OTHERS WITHOUT THE PRIOR WRITTEN CONSENT OF AXIOMATIC TECHNOLOGIES CORPORATION. BY ACCEPTANCE OF THIS DRAWING, THE BEARER AGREES TO THESE CONDITIONS.		AXIOMATIC Global Electronic Solutions CORPORATION 5915 WALLACE ST. MISSISSAUGA, ON CANADA L4Z1Z8 905-602-9270																							
TOLERANCES <table border="1"> <tr> <th colspan="2">fabrication</th> <th colspan="2">machining</th> </tr> <tr> <td>X.XXX</td> <td>+/- 0.015</td> <td>X.XXX</td> <td>+/- 0.001</td> </tr> <tr> <td>X.XX</td> <td>+/- 0.031</td> <td>X.XX</td> <td>+/- 0.005</td> </tr> <tr> <td>X.X</td> <td>+/- 0.031</td> <td>X.X</td> <td>+/- 0.015</td> </tr> <tr> <td>fractional</td> <td>+/- 0.031</td> <td>fractional</td> <td>+/- 0.031</td> </tr> </table>		fabrication		machining		X.XXX	+/- 0.015	X.XXX	+/- 0.001	X.XX	+/- 0.031	X.XX	+/- 0.005	X.X	+/- 0.031	X.X	+/- 0.015	fractional	+/- 0.031	fractional	+/- 0.031	MATERIAL PA66 30%GF ultrasonically welded enclosure	DRAWN TF DATE June 9-2015 CHECKED DL APPROVED DL	TITLE 1 Magnetic Pickup to CAN, J1939 DWG REV D1 SCALE full	AXIOMATIC TECHNOLOGIES CORPORATION AX031500-MD PART NO AX031500 SHEET 1 of 1
fabrication		machining																							
X.XXX	+/- 0.015	X.XXX	+/- 0.001																						
X.XX	+/- 0.031	X.XX	+/- 0.005																						
X.X	+/- 0.031	X.X	+/- 0.015																						
fractional	+/- 0.031	fractional	+/- 0.031																						