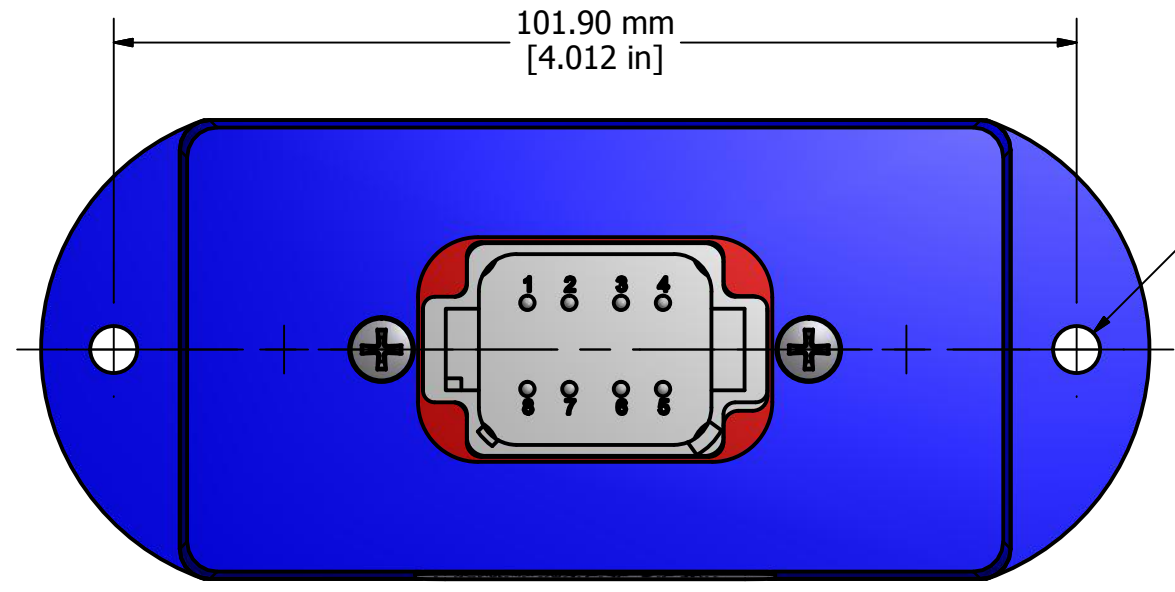
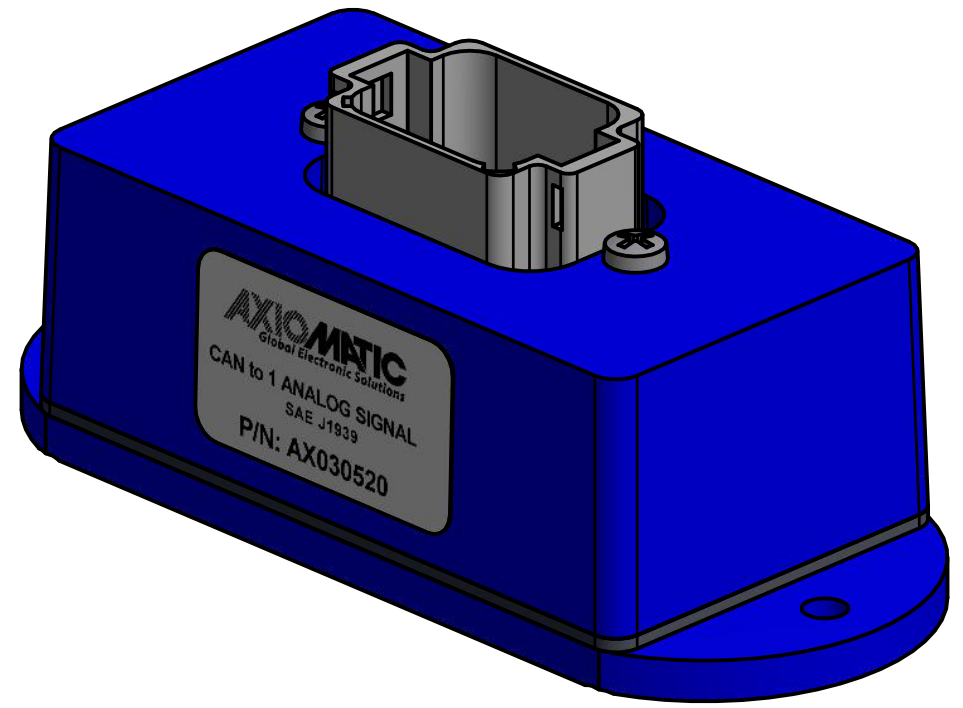


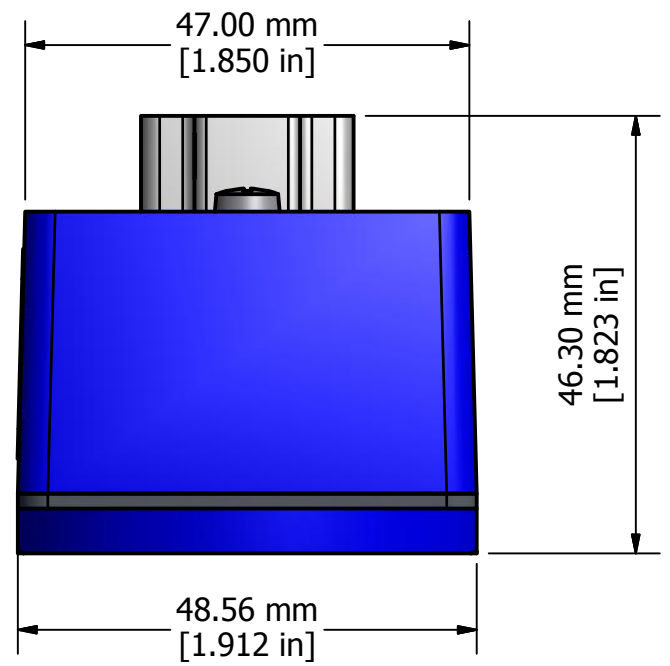
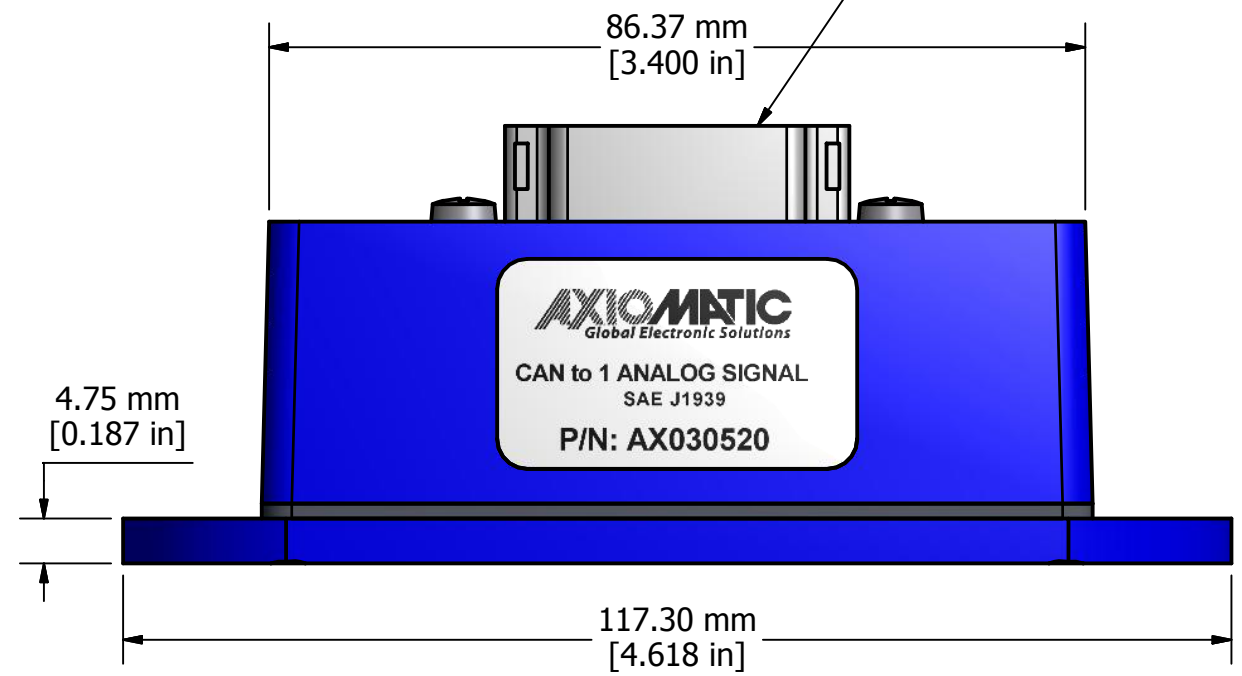
REVISION			
REV	DESCRIPTION	DATE	APPROVED
A-D1	released to sales and marketing	Nov 5-2014	AW



Ø4.98 mm
[0.196 in]
to suit an M4
or #10 bolt (2)



Deutsch IPD DT15-08PA
mates with DT06-08SA
(all variations)



<small>PROPRIETARY</small> THE INFORMATION CONTAINED IN THIS DRAWING IS CONFIDENTIAL AND PROPRIETARY AND REMAINS THE EXCLUSIVE PROPERTY OF AXIOMATIC TECHNOLOGIES CORPORATION. THIS DRAWING MAY NOT BE USED, REPRODUCED IN WHOLE OR IN PART, NOR REVEALED TO OTHERS WITHOUT THE PRIOR WRITTEN CONSENT OF AXIOMATIC TECHNOLOGIES CORPORATION. BY ACCEPTANCE OF THIS DRAWING, THE BEARER AGREES TO THESE CONDITIONS.		AXIOMATIC Global Electronic Solutions AXIOMATIC TECHNOLOGIES CORPORATION 5915 WALLACE ST. MISSISSAUGA, ON CANADA L4Z1Z8 905-602-9270																													
TOLERANCES <table border="1"> <thead> <tr> <th colspan="2">fabrication</th> <th colspan="2">machining</th> </tr> </thead> <tbody> <tr> <td>X.XXX</td> <td>+/- 0.015</td> <td>X.XXX</td> <td>+/- 0.005</td> </tr> <tr> <td>X.XX</td> <td>+/- 0.031</td> <td>X.XX</td> <td>+/- 0.010</td> </tr> <tr> <td>X.X</td> <td>+/- 0.031</td> <td>X.X</td> <td>+/- 0.015</td> </tr> <tr> <td>fractional</td> <td>+/- 0.031</td> <td>fractional</td> <td>+/- 0.031</td> </tr> </tbody> </table>		fabrication		machining		X.XXX	+/- 0.015	X.XXX	+/- 0.005	X.XX	+/- 0.031	X.XX	+/- 0.010	X.X	+/- 0.031	X.X	+/- 0.015	fractional	+/- 0.031	fractional	+/- 0.031	MATERIAL cast aluminum powder coated housing with neoprene gasket	DRAWN TF CHECKED DATE APPROVED DATE	DATE 05/11/2014	TITLE One Analog Signal Output Controller, SAE J1939	DWG REV D1	DWG NO AX030520-MD-A	PART REV A	SCALE full	PART NO AX030520	SHEET 1 of 1
fabrication		machining																													
X.XXX	+/- 0.015	X.XXX	+/- 0.005																												
X.XX	+/- 0.031	X.XX	+/- 0.010																												
X.X	+/- 0.031	X.X	+/- 0.015																												
fractional	+/- 0.031	fractional	+/- 0.031																												