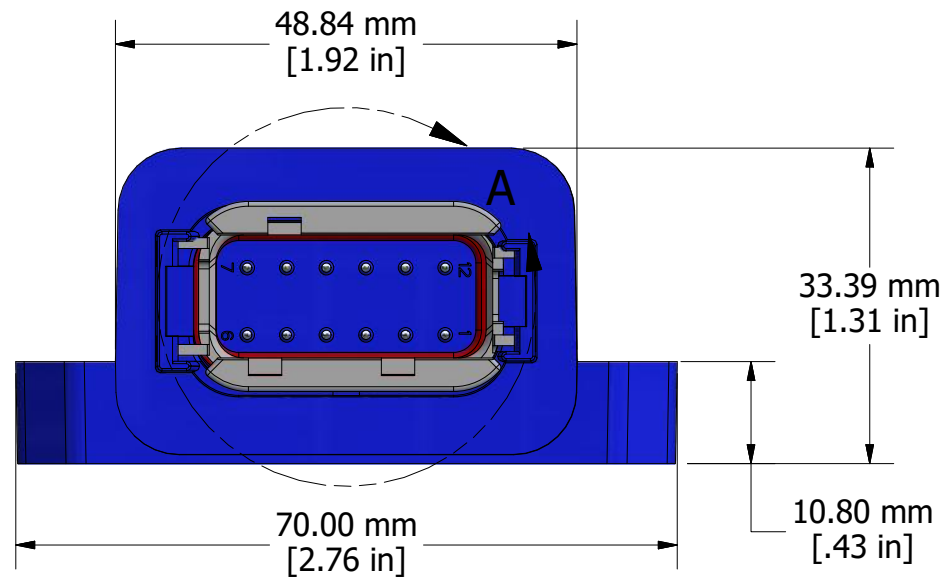
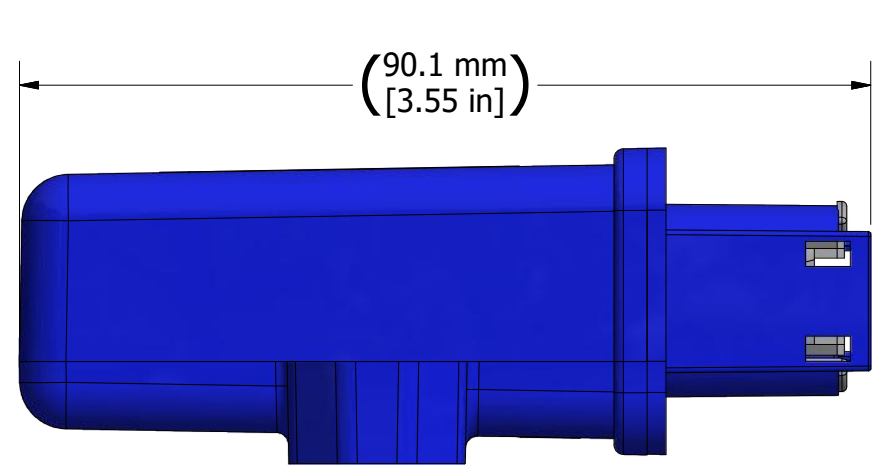


**DETAIL A**

molded in TE Deutsch receptacle DTM04-12PA,  
mates with DTM06-12SA



**label detail**

TOLERANCES			
fabrication		machining	
X.XXX	+/- 0.015	X.XXX	+/- 0.001
X.XX	+/- 0.031	X.XX	+/- 0.005
X.X	+/- 0.031	X.X	+/- 0.015
fractional	+/- 0.031	fractional	+/- 0.031

MATERIAL  
injection molded  
glass filled PA66  
ultrasonically  
welded

DRAWN	DATE
TF	2021-09-07
CHECKED	DATE
DL	
APPROVED	DATE
DL	

<small>PROPRIETARY</small> <small>THE INFORMATION CONTAINED IN THIS DRAWING IS CONFIDENTIAL AND PROPRIETARY AND REMAINS THE EXCLUSIVE PROPERTY OF AXIOMATIC TECHNOLOGIES CORPORATION. THIS DRAWING MAY NOT BE USED, REPRODUCED IN WHOLE OR IN PART, NOR REVISED TO OTHERS WITHOUT THE PRIOR WRITTEN CONSENT OF AXIOMATIC TECHNOLOGIES CORPORATION. BY ACCEPTANCE OF THIS DRAWING, THE BEARER AGREES TO THESE CONDITIONS.</small>		<small>AXIOMATIC TECHNOLOGIES CORPORATION</small> <small>5915 WALLACE ST.</small> <small>MISSISSAUGA, ON</small> <small>CANADA L4Z1Z8</small> <small>905-602-9270</small>	
<b>AXIOMATIC</b> <small>Global Electronic Solutions</small>		<b>4 Universal Inputs Controller</b> SAE J1939, +V Ref. <b>P/N: AX030440</b>	
<small>TITLE</small> Four Universal Inputs Controller, J1939		<small>DWG REV</small> <b>D1</b>	<small>DWG NO</small> <b>AX030440-MD</b>
<small>SCALE</small> <b>full</b>		<small>PART NO</small> <b>AX030440</b>	<small>SHEET</small> <b>1 of 1</b>