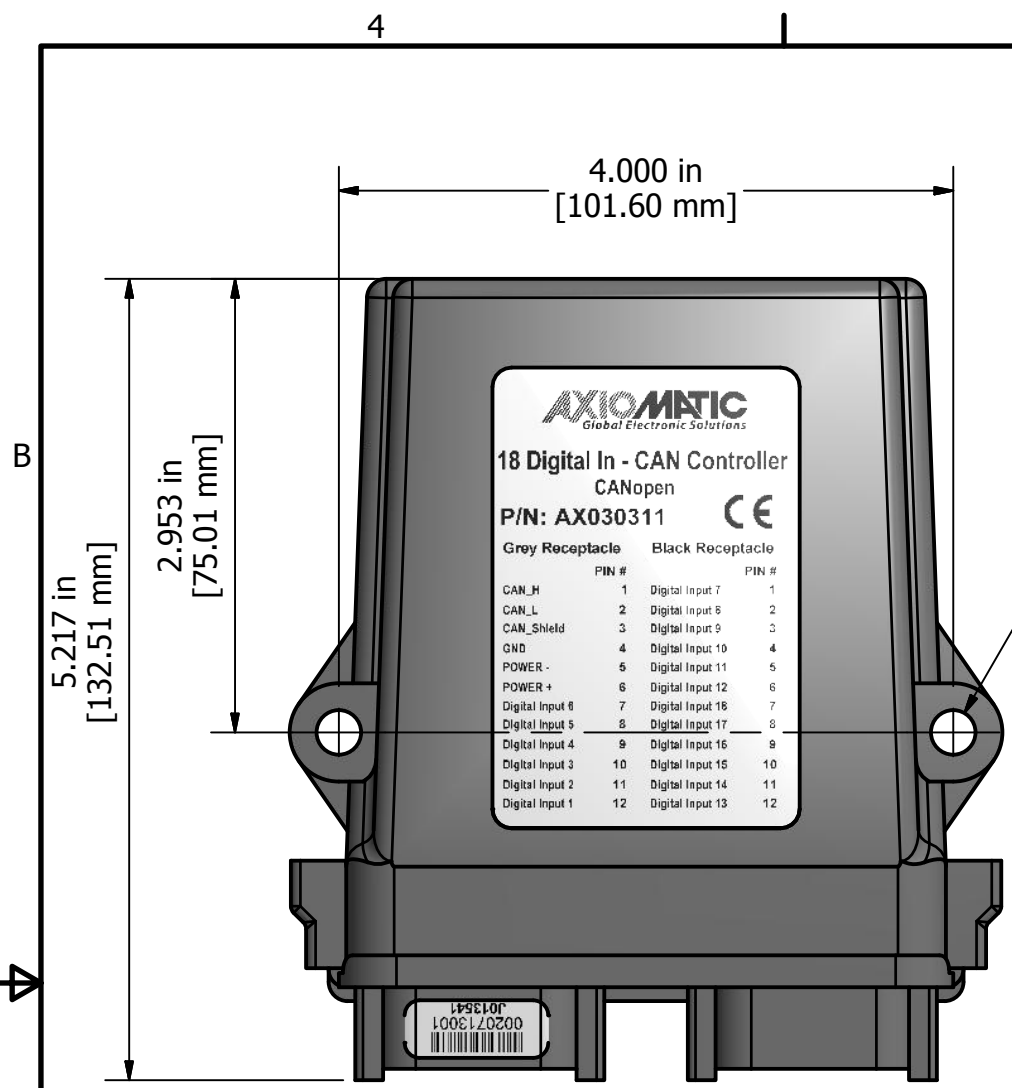
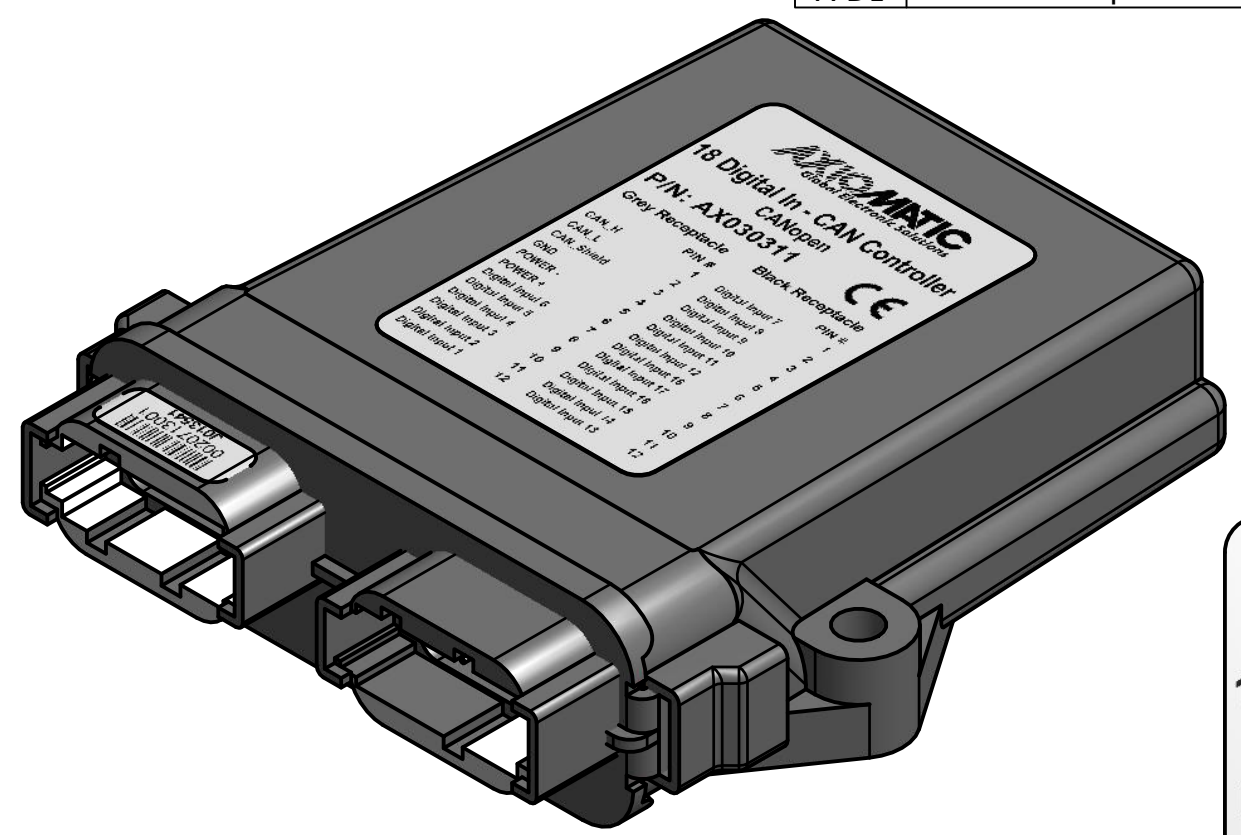


REVISION			
REV	DESCRIPTION	DATE	APPROVED
A-D1	released to production ECN14-0097	Nov 19-2014	NM



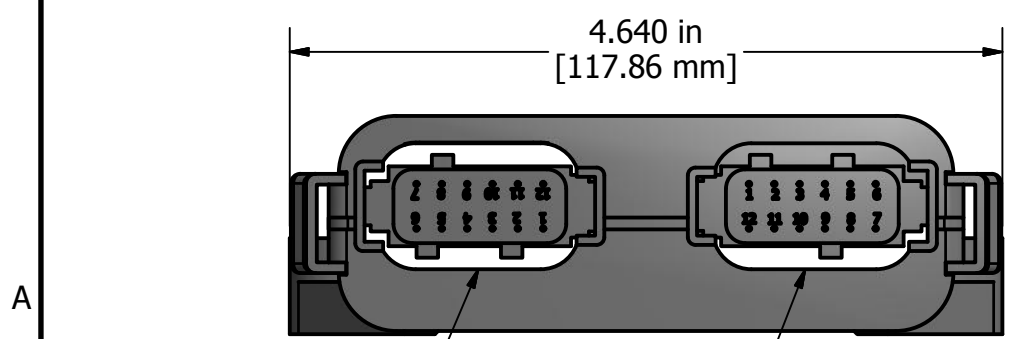
Ø0.290 in [7.37 mm] to suit an M6 or 1/4" bolt (2)



AXIOMATIC
Global Electronic Solutions

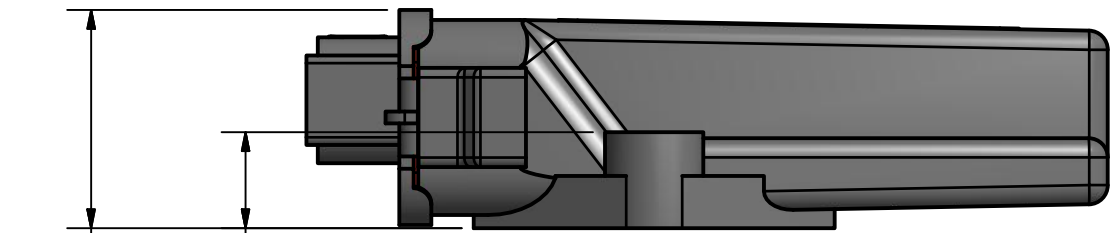
18 Digital In - CAN Controller
CANopen
P/N: AX030311

Grey Receptacle		Black Receptacle	
PIN #		PIN #	
CAN_H	1	Digital Input 7	1
CAN_L	2	Digital Input 8	2
CAN_Shield	3	Digital Input 9	3
GND	4	Digital Input 10	4
POWER -	5	Digital Input 11	5
POWER +	6	Digital Input 12	6
Digital Input 6	7	Digital Input 18	7
Digital Input 5	8	Digital Input 17	8
Digital Input 4	9	Digital Input 16	9
Digital Input 3	10	Digital Input 15	10
Digital Input 2	11	Digital Input 14	11
Digital Input 1	12	Digital Input 13	12



Deutsch IPD DTM13-12PA mates with DTM06-12SA

Deutsch IPD DTM13-12PB mates with DTM06-12SB



unit label detail

<p>PROPRIETARY</p> <p>THE INFORMATION CONTAINED IN THIS DRAWING IS CONFIDENTIAL AND PROPRIETARY AND REMAINS THE EXCLUSIVE PROPERTY OF AXIOMATIC TECHNOLOGIES CORPORATION. THIS DRAWING MAY NOT BE USED, REPRODUCED IN WHOLE OR IN PART, NOR REVEALED TO OTHERS WITHOUT THE PRIOR WRITTEN CONSENT OF AXIOMATIC TECHNOLOGIES CORPORATION. BY ACCEPTANCE OF THIS DRAWING, THE BEARER AGREES TO THESE CONDITIONS.</p>		<p>AXIOMATIC TECHNOLOGIES CORPORATION 5915 WALLACE ST. MISSISSAUGA, ON CANADA L4Z1Z8 905-602-9270</p>																					
<p>TOLERANCES</p> <table border="1"> <thead> <tr> <th colspan="2">fabrication</th> <th colspan="2">machining</th> </tr> </thead> <tbody> <tr> <td>X.XXX</td><td>+/- 0.015</td> <td>X.XXX</td><td>+/- 0.005</td> </tr> <tr> <td>X.XX</td><td>+/- 0.031</td> <td>X.XX</td><td>+/- 0.010</td> </tr> <tr> <td>X.X</td><td>+/- 0.031</td> <td>X.X</td><td>+/- 0.015</td> </tr> <tr> <td>fractional</td><td>+/- 0.031</td> <td>fractional</td><td>+/- 0.031</td> </tr> </tbody> </table>		fabrication		machining		X.XXX	+/- 0.015	X.XXX	+/- 0.005	X.XX	+/- 0.031	X.XX	+/- 0.010	X.X	+/- 0.031	X.X	+/- 0.015	fractional	+/- 0.031	fractional	+/- 0.031	<p>MATERIAL PA66 glass fill housing with a silicone gasket</p>	
fabrication		machining																					
X.XXX	+/- 0.015	X.XXX	+/- 0.005																				
X.XX	+/- 0.031	X.XX	+/- 0.010																				
X.X	+/- 0.031	X.X	+/- 0.015																				
fractional	+/- 0.031	fractional	+/- 0.031																				
<p>DRAWN TF</p> <p>CHECKED</p> <p>APPROVED</p>	<p>DATE 19/11/2014</p> <p>DATE</p> <p>DATE</p>	<p>TITLE 18 Digital Inputs to CAN, CANopen</p> <table border="1"> <tr> <td>DWG REV D1</td> <td>DWG NO AX030310-MD</td> <td>PART REV A</td> </tr> <tr> <td>SCALE full</td> <td>PART NO AX030310</td> <td>SHEET 1 of 1</td> </tr> </table>		DWG REV D1	DWG NO AX030310-MD	PART REV A	SCALE full	PART NO AX030310	SHEET 1 of 1														
DWG REV D1	DWG NO AX030310-MD	PART REV A																					
SCALE full	PART NO AX030310	SHEET 1 of 1																					