

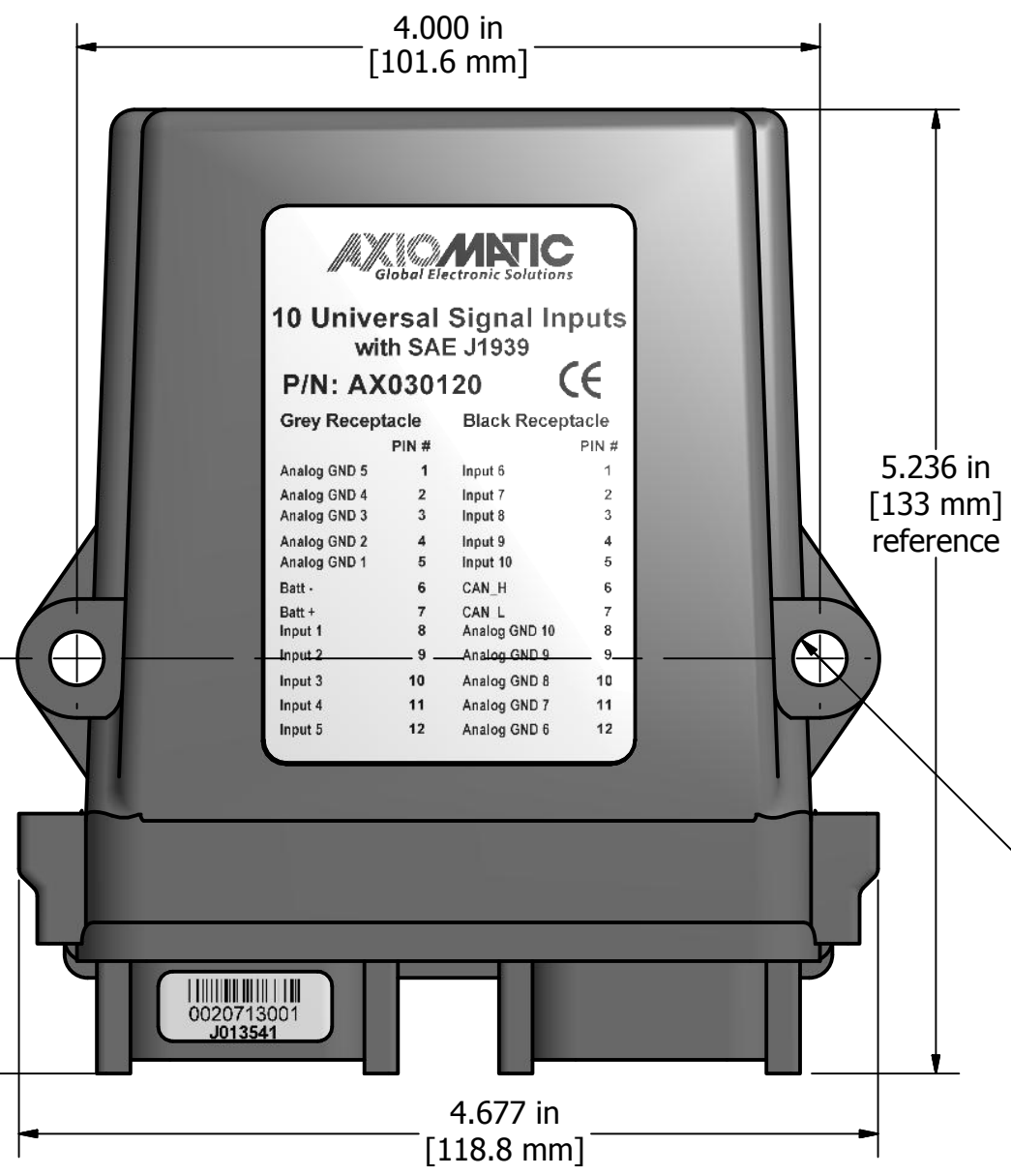
AXIOMATIC
Global Electronic Solutions

10 Universal Signal Inputs with SAE J1939

P/N: AX030120

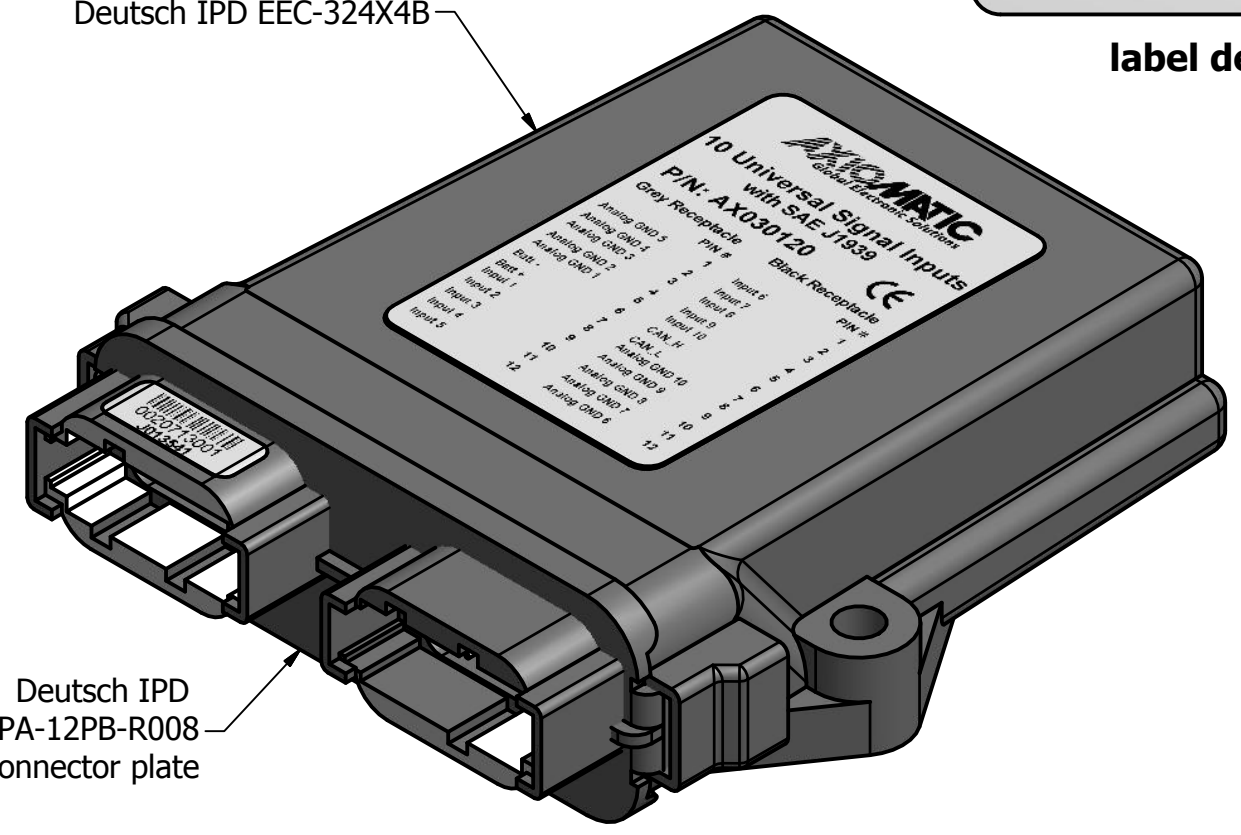
| Grey Receptacle | | Black Receptacle | |
|-----------------|-------|------------------|-------|
| | PIN # | | PIN # |
| Analog GND 5 | 1 | Input 6 | 1 |
| Analog GND 4 | 2 | Input 7 | 2 |
| Analog GND 3 | 3 | Input 8 | 3 |
| Analog GND 2 | 4 | Input 9 | 4 |
| Analog GND 1 | 5 | Input 10 | 5 |
| Batt - | 6 | CAN_H | 6 |
| Batt + | 7 | CAN_L | 7 |
| Input 1 | 8 | Analog GND 10 | 8 |
| Input 2 | 9 | Analog GND 9 | 9 |
| Input 3 | 10 | Analog GND 8 | 10 |
| Input 4 | 11 | Analog GND 7 | 11 |
| Input 5 | 12 | Analog GND 6 | 12 |

label detail



Deutsch IPD EEC-324X4B

Deutsch IPD DTM13-12PA-12PB-R008 connector plate



| TOLERANCES | | MATERIAL | | DRAWN | | DATE | | TITLE | | |
|-------------|-----------------|------------|-----------------|----------|----|------------|--|--|-------------|----------|
| fabrication | X.XXX +/- 0.015 | machining | X.XXX +/- 0.001 | WA | DL | 29/11/2013 | | 10 Universal Signal Input CAN Controller, SAEJ1939 | | |
| X.XX | +/- 0.031 | X.XX | +/- 0.005 | CHECKED | DL | | | DWG REV | DWG NO | PART REV |
| X.X | +/- 0.031 | X.X | +/- 0.015 | APPROVED | DL | | | D1 | AX030120-MD | A |
| fractional | +/- 0.031 | fractional | +/- 0.031 | | | | | SCALE | PART NO | SHEET |
| | | | | | | | | Full | AX030120 | 1 of 1 |

PROPRIETARY
THE INFORMATION CONTAINED IN THIS DRAWING IS CONFIDENTIAL AND PROPRIETARY AND REMAINS THE EXCLUSIVE PROPERTY OF AXIOMATIC TECHNOLOGIES CORPORATION. THIS DRAWING MAY NOT BE USED, REPRODUCED IN WHOLE OR IN PART, NOR REVEALED TO OTHERS WITHOUT THE PRIOR WRITTEN CONSENT OF AXIOMATIC TECHNOLOGIES CORPORATION. BY ACCEPTANCE OF THIS DRAWING, THE BEARER AGREES TO THESE CONDITIONS.

AXIOMATIC TECHNOLOGIES CORPORATION
5915 WALLACE ST.
MISSISSAUGA, ON
CANADA L4Z1Z8
905-602-9270