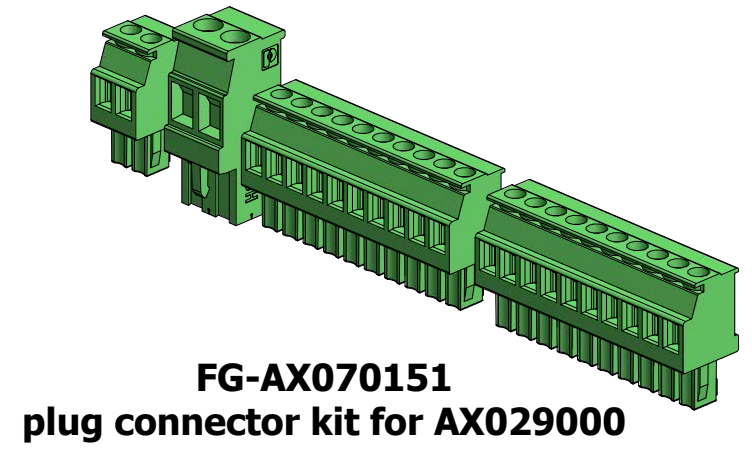


**AXIOMATIC**  
Global Electronic Solutions

**P/N: AX029000**  
**S/N: 0019819009**



TOLERANCES	
fabrication	machining
X.XXX +/- 0.015"	X.XXX +/- 0.005"
X.XX +/- 0.031"	X.XX +/- 0.010"
X.X +/- 0.031"	X.X +/- 0.015"
fractional +/- 0.031"	fractional +/- 0.031"

MATERIAL		DRAWN	DATE	TITLE		
		TF	4/1/2020	10 Output Control, High and Low Side Drive, Ethernet, J1939		
FINISH		CHECKED	DATE	DWG REV	DWG NO	PART REV
		APPROVED	DATE	D1	AX029000K-MD	A
				SCALE	PART NO	SHEET
				full	AX029000K	1 of 1

AXIOMATIC TECHNOLOGIES CORPORATION  
5915 WALLACE ST.  
MISSISSAUGA, ON  
CANADA L4Z1Z8  
905-602-9270

**AXIOMATIC**  
Global Electronic Solutions