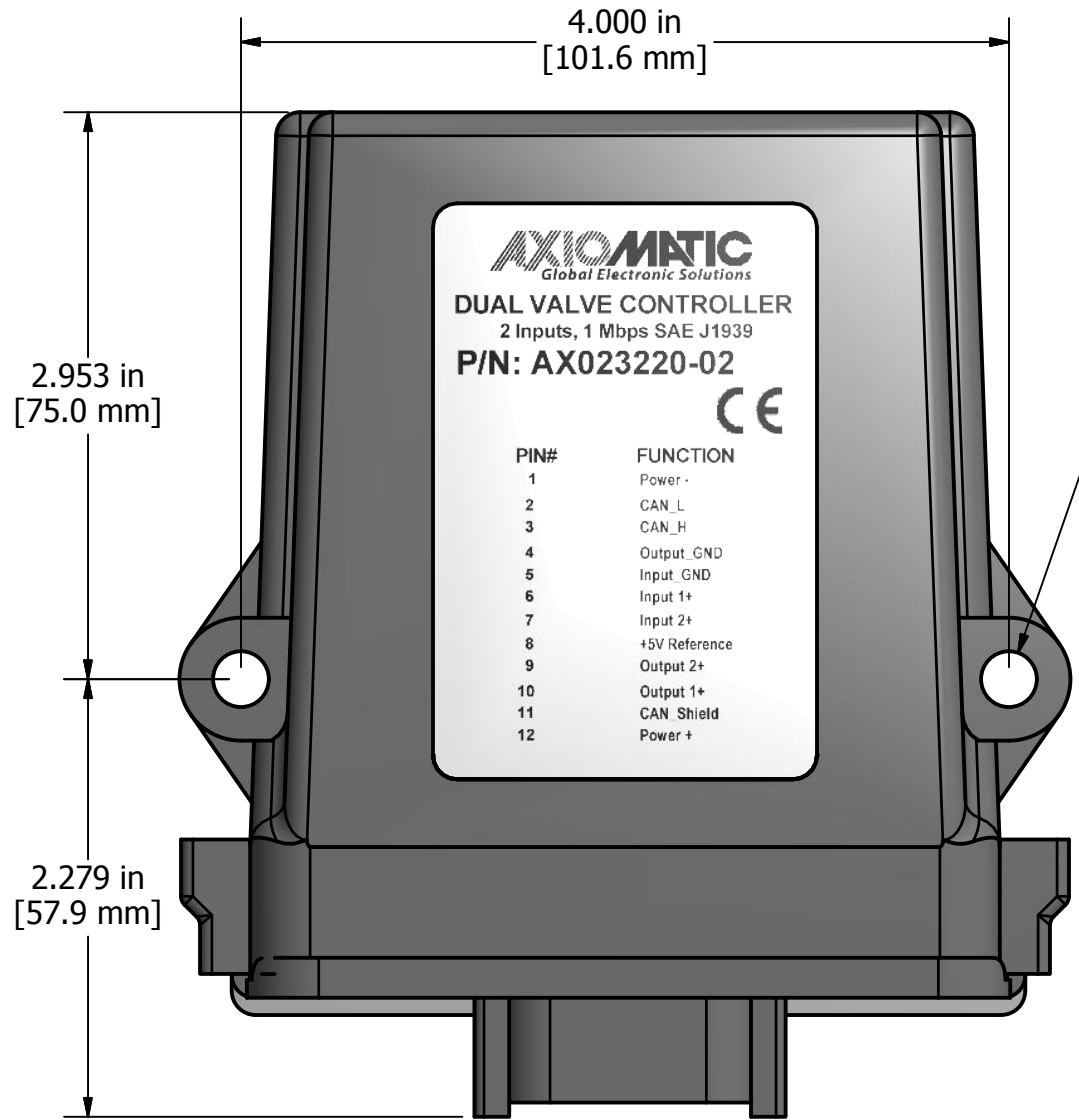
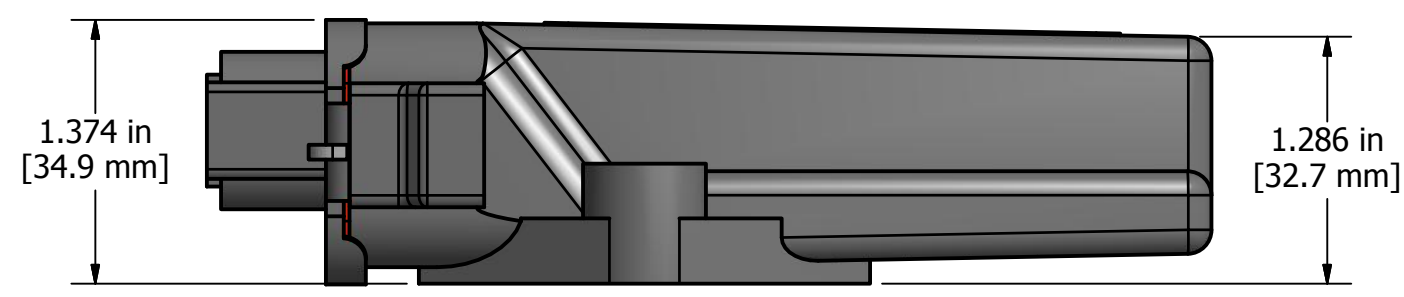
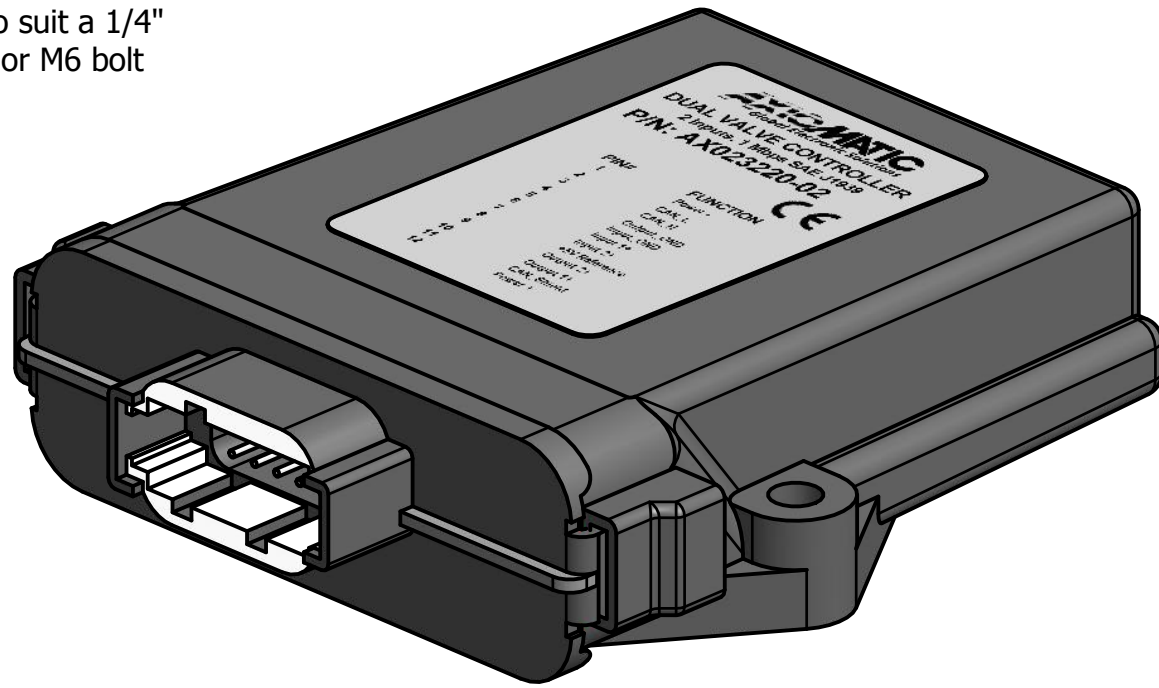


Deutsch IPD DTM13-12PA-R008 connector - mates with DTM06-12SA



Ø.290 in [7.4 mm] to suit a 1/4" or M6 bolt



AXIOMATIC
Global Electronic Solutions

DUAL VALVE CONTROLLER
2 Inputs, 1 Mbps SAE J1939
P/N: AX023220-02

CE

PIN#	FUNCTION
1	Power -
2	CAN_L
3	CAN_H
4	Output_GND
5	Input_GND
6	Input 1+
7	Input 2+
8	+5V Reference
9	Output 2+
10	Output 1+
11	CAN_Shield
12	Power +

AXIOMATIC
Global Electronic Solutions

DUAL VALVE CONTROLLER
2 Inputs, 1 Mbps SAE J1939
P/N: AX023220-02

CE

PIN#	FUNCTION
1	Power -
2	CAN_L
3	CAN_H
4	Output_GND
5	Input_GND
6	Input 1+
7	Input 2+
8	+5V Reference
9	Output 2+
10	Output 1+
11	CAN_Shield
12	Power +

label detail

<p>PROPRIETARY</p> <p>THE INFORMATION CONTAINED IN THIS DRAWING IS CONFIDENTIAL AND PROPRIETARY AND REMAINS THE EXCLUSIVE PROPERTY OF AXIOMATIC TECHNOLOGIES CORPORATION. THIS DRAWING MAY NOT BE USED, REPRODUCED IN WHOLE OR IN PART, NOR REVEALED TO OTHERS WITHOUT THE PRIOR WRITTEN CONSENT OF AXIOMATIC TECHNOLOGIES CORPORATION. BY ACCEPTANCE OF THIS DRAWING, THE BEARER AGREES TO THESE CONDITIONS.</p>		<p>AXIOMATIC TECHNOLOGIES CORPORATION 5915 WALLACE ST. MISSISSAUGA, ON CANADA L4Z1Z8 905-602-9270</p>																					
<p>TOLERANCES</p> <table border="1"> <thead> <tr> <th colspan="2">fabrication</th> <th colspan="2">machining</th> </tr> </thead> <tbody> <tr> <td>X.XXX</td><td>+/- 0.015</td> <td>X.XXX</td><td>+/- 0.001</td> </tr> <tr> <td>X.XX</td><td>+/- 0.031</td> <td>X.XX</td><td>+/- 0.005</td> </tr> <tr> <td>X.X</td><td>+/- 0.031</td> <td>X.X</td><td>+/- 0.015</td> </tr> <tr> <td>fractional</td><td>+/- 0.031</td> <td>fractional</td><td>+/- 0.031</td> </tr> </tbody> </table>		fabrication		machining		X.XXX	+/- 0.015	X.XXX	+/- 0.001	X.XX	+/- 0.031	X.XX	+/- 0.005	X.X	+/- 0.031	X.X	+/- 0.015	fractional	+/- 0.031	fractional	+/- 0.031	<p>MATERIAL: High Temperature Nylon housing</p>	
fabrication		machining																					
X.XXX	+/- 0.015	X.XXX	+/- 0.001																				
X.XX	+/- 0.031	X.XX	+/- 0.005																				
X.X	+/- 0.031	X.X	+/- 0.015																				
fractional	+/- 0.031	fractional	+/- 0.031																				
<p>DRAWN: TF</p> <p>CHECKED: DL</p> <p>APPROVED: DL</p>	<p>DATE: 28/07/2015</p> <p>DATE:</p> <p>DATE:</p>	<p>TITLE: 2 Universal Input Dual Valve Controller, 1 Mbit/s, SAE J1939</p>																					
<p>DWG REV: D1</p> <p>SCALE: Full</p>		<p>DWG NO: AX023220-02-MD</p> <p>PART NO: AX023220-02</p>	<p>PART REV: A</p> <p>SHEET: 1 of 1</p>																				