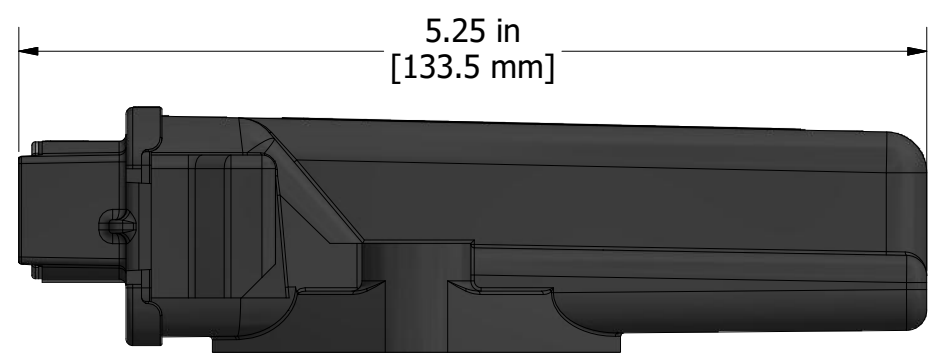
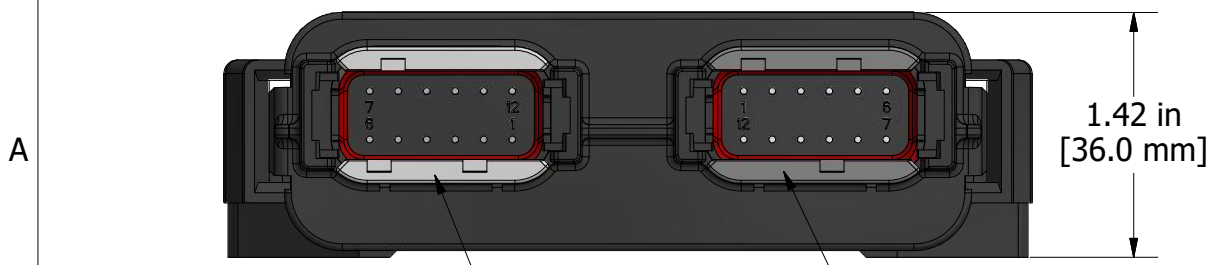


AXIOMATIC
Global Electronic Solutions

**4 On/Off Output Controller
SAE J1939
P/N: AX022950**

Grey Receptacle	Black Receptacle	
PIN #	PIN #	PIN #
LED Output 2	1 LED Output 1	1
Not Used	2 CAN L	2
Digital Output 1	3 CAN H	3
Dig Out 1/2 RTN	4 Digital Input 2	4
Digital Output 3	5 Digital Input 4	5
Battery -	6 Digital Input 6	6
Battery +	7 Digital Input 7	7
Digital Output 4	8 Digital Input 5	8
Dig Out 3/4 RTN	9 Digital Input 1	9
Digital Output 2	10 Digital Input 3	10
LED Output 4	11 CAN Shield	11
LED Output 3	12 GND Reference	12



Gray receptacle keyed "A" mates with DTM06-12SA plug
Black receptacle keyed "B" mates with DTM06-12SB plug

REVISION HISTORY			
REV	DESCRIPTION	DATE	APPROVED
A-D1	release to production (RFA21-0070)	April 30-2021	TM

AXIOMATIC TECHNOLOGIES CORPORATION
5915 WALLACE ST.
MISSISSAUGA, ON
CANADA L4Z1Z8
905-602-9270

AXIOMATIC
Global Electronic Solutions

TITLE: 4 Off/On Output Controller, J1939

DRAWN	TF	DATE	2021-04-30
CHECKED		DATE	
APPROVED	DL	DATE	

DWG REV	D1	DWG NO	AX022950-MD	PART REV	1
SCALE	full	PART NO	AX022950	SHEET	1 of 1

TOLERANCES			
fabrication		machining	
X.XXX	+/- 0.015	X.XXX	+/- 0.001
X.XX	+/- 0.031	X.XX	+/- 0.005
X.X	+/- 0.031	X.X	+/- 0.015
fractional	+/- 0.031	fractional	+/- 0.031

MATERIAL
PA66 30%gf
silicone gasket