

4

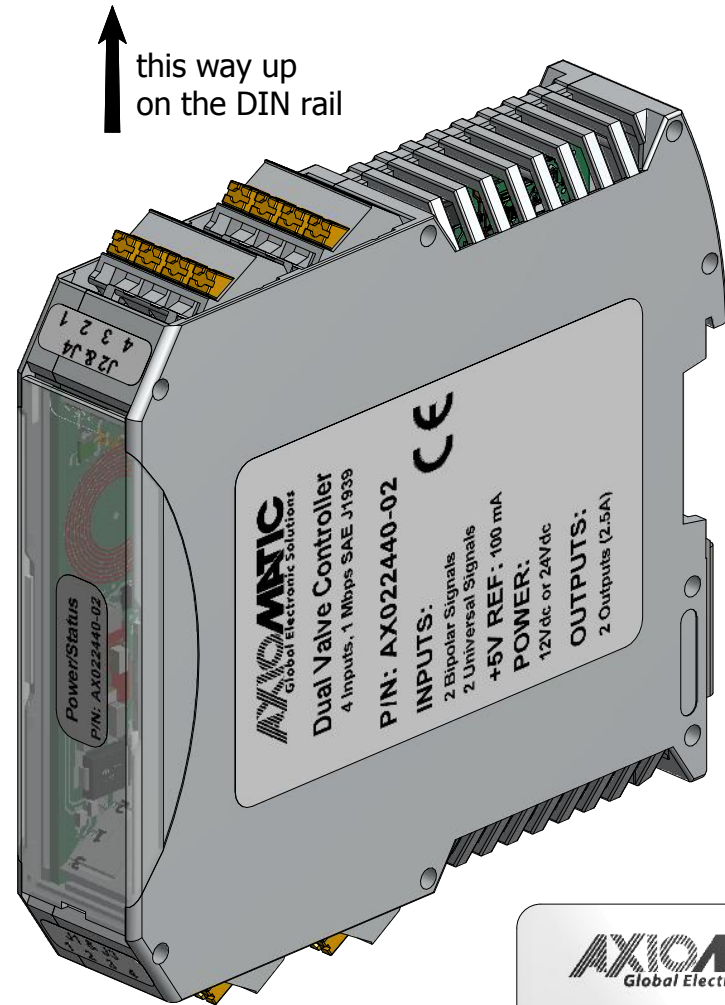
3

2

1

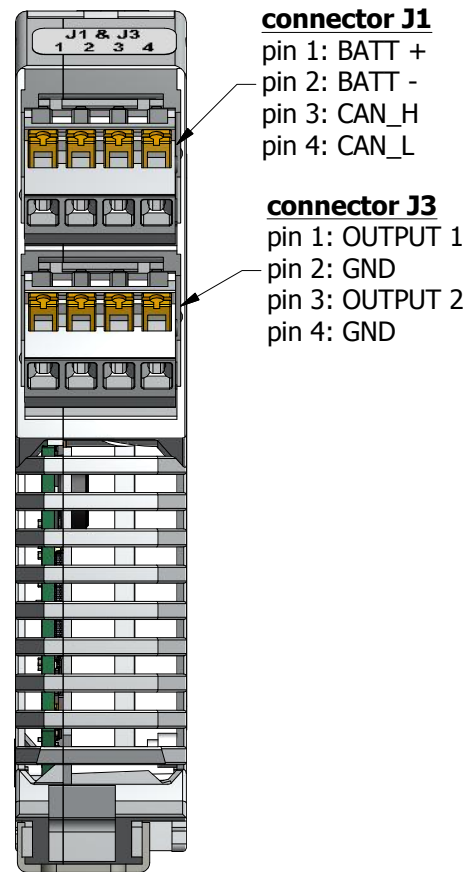


↑ this way up
on the DIN rail



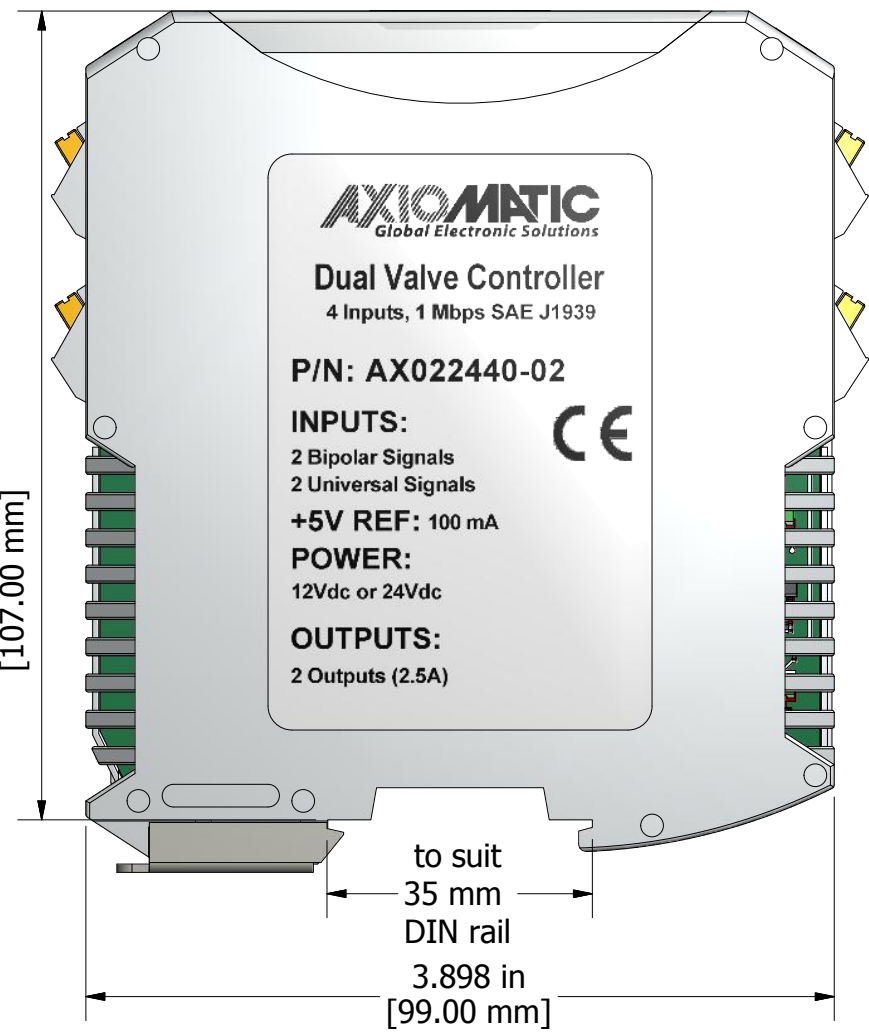
B

B



connector J1
pin 1: BATT +
pin 2: BATT -
pin 3: CAN_H
pin 4: CAN_L

connector J3
pin 1: OUTPUT 1
pin 2: GND
pin 3: OUTPUT 2
pin 4: GND



AXIOMATIC
Global Electronic Solutions

Dual Valve Controller
4 Inputs, 1 Mbps SAE J1939

P/N: AX022440-02

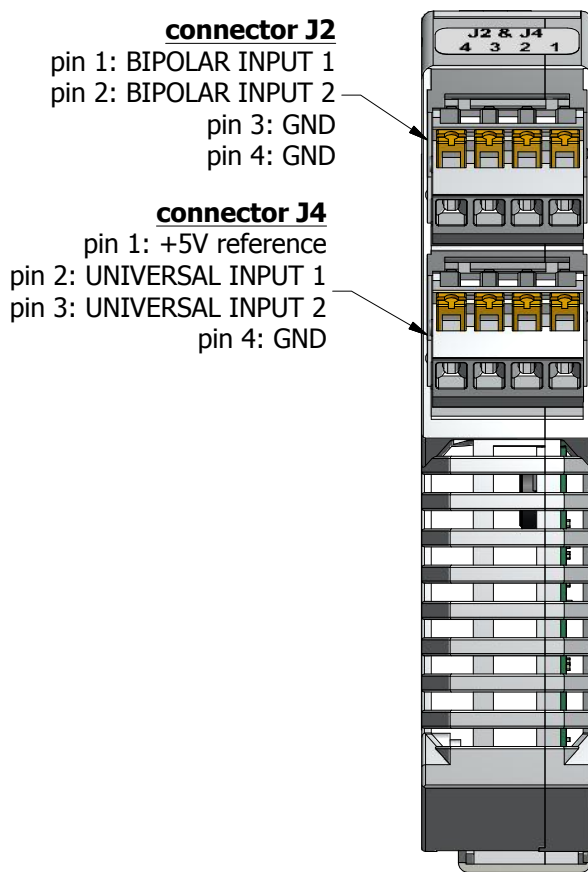
INPUTS:
2 Bipolar Signals
2 Universal Signals
+5V REF: 100 mA

POWER:
12Vdc or 24Vdc

OUTPUTS:
2 Outputs (2.5A)

CE

to suit
35 mm
DIN rail
3.898 in
[99.00 mm]



connector J2
pin 1: BIPOLAR INPUT 1
pin 2: BIPOLAR INPUT 2
pin 3: GND
pin 4: GND

connector J4
pin 1: +5V reference
pin 2: UNIVERSAL INPUT 1
pin 3: UNIVERSAL INPUT 2
pin 4: GND



AXIOMATIC
Global Electronic Solutions

Dual Valve Controller
4 Inputs, 1 Mbps SAE J1939

P/N: AX022440-02

INPUTS:
2 Bipolar Signals
2 Universal Signals
+5V REF: 100 mA

POWER:
12Vdc or 24Vdc

OUTPUTS:
2 Outputs (2.5A)

CE

unit label

A

A

4

3

2

1

| TOLERANCES | |
|----------------------|----------------------|
| fabrication | machining |
| X.XXX +/- 0.015 | X.XXX +/- 0.005 |
| X.XX +/- 0.031 | X.XX +/- 0.010 |
| X.X +/- 0.031 | X.X +/- 0.015 |
| fractional +/- 0.031 | fractional +/- 0.031 |

| | | | |
|---|----------|--|---|
| <small>PROPRIETARY</small> THE INFORMATION CONTAINED IN THIS DRAWING IS CONFIDENTIAL AND PROPRIETARY AND REMAINS THE EXCLUSIVE PROPERTY OF AXIOMATIC TECHNOLOGIES CORPORATION. THIS DRAWING MAY NOT BE USED, REPRODUCED IN WHOLE OR IN PART, NOR REVEALED TO OTHERS WITHOUT THE PRIOR WRITTEN CONSENT OF AXIOMATIC TECHNOLOGIES CORPORATION. BY ACCEPTANCE OF THIS DRAWING, THE BEARER AGREES TO THESE CONDITIONS. | | <small>AXIOMATIC TECHNOLOGIES CORPORATION</small> AXIOMATIC Global Electronic Solutions 5915 WALLACE ST. MISSISSAUGA, ON CANADA L4Z1Z8 905-602-9270 | |
| MATERIAL | DRAWN | DATE | TITLE |
| | TF | 1/10/2019 | 2 Bipolar and 2 Universal Signal Inputs, Dual Valve Controller, SAE J1939, 1 mbps, DIN Rail Mount |
| | CHECKED | DATE | DWG REV |
| | | | D2 |
| | APPROVED | DATE | DWG NO |
| | | | AX022440-02-MD |
| | | | PART REV |
| | | | A |
| | | | SCALE |
| | | | full |
| | | | PART NO |
| | | | AX022440-02 |
| | | | SHEET |
| | | | 1 of 1 |