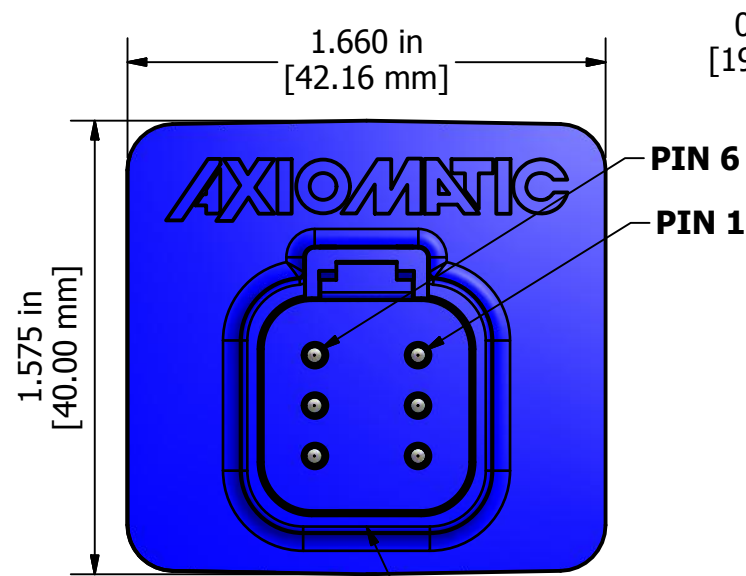
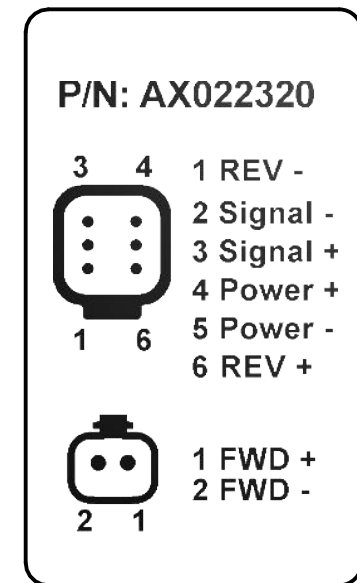
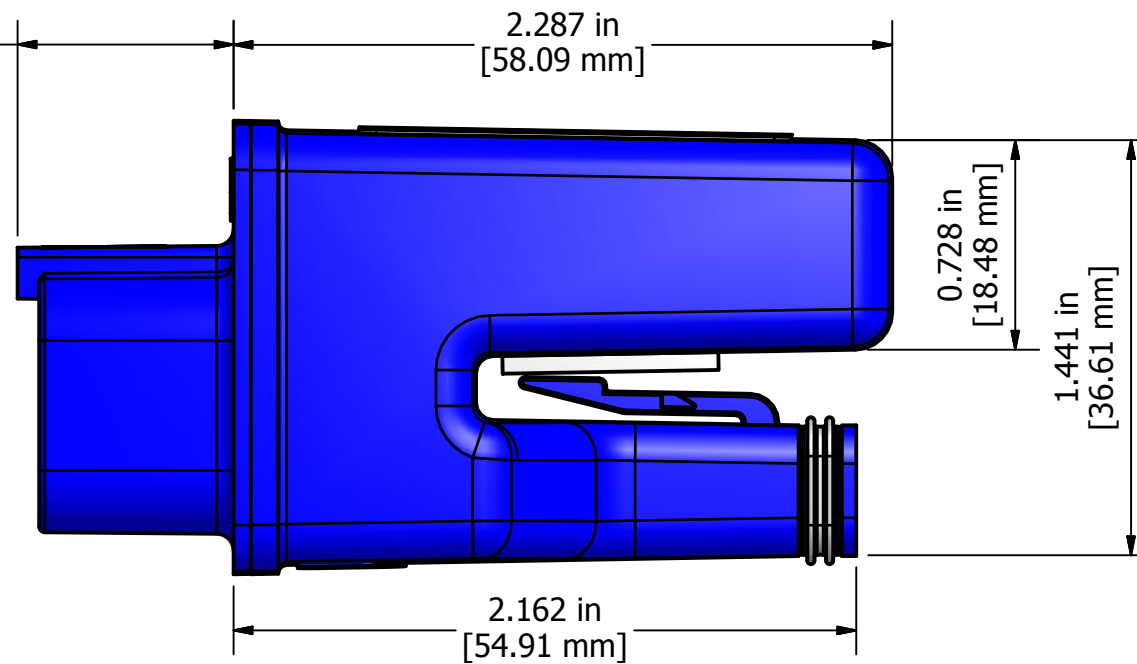


molded in TE Deutsch
p/n DT04-2S, mates to
valve coil with integral
DT04-2P connector



molded in TE Deutsch
p/n DT04-6P, mates to
TE Deutsch p/n DT06-6S,
sold as part of mating plug
kit PN AX070119



TOLERANCES			
fabrication	+/- 0.015	machining	+/- 0.005
X.XXX	+/- 0.031	X.XXX	+/- 0.010
X.XX	+/- 0.031	X.X	+/- 0.015
X.X	+/- 0.031	fractional	+/- 0.031

<small>PROPRIETARY</small> THE INFORMATION CONTAINED IN THIS DRAWING IS CONFIDENTIAL AND PROPRIETARY AND REMAINS THE EXCLUSIVE PROPERTY OF AXIOMATIC TECHNOLOGIES CORPORATION. THIS DRAWING MAY NOT BE USED, REPRODUCED IN WHOLE OR IN PART, NOR REVEALED TO OTHERS WITHOUT THE PRIOR WRITTEN CONSENT OF AXIOMATIC TECHNOLOGIES CORPORATION. BY ACCEPTANCE OF THIS DRAWING, THE BEARER AGREES TO THESE CONDITIONS.		AXIOMATIC Global Electronic Solutions <small>AXIOMATIC TECHNOLOGIES CORPORATION 5915 WALLACE ST. MISSISSAUGA, ON CANADA L4Z1Z8 905-602-9270</small>					
MATERIAL	ultrasonically welded PA66 30% glass fill enclosure, silicone gasket	DRAWN	DATE	TITLE	Dual Plug-In Valve Controller, 1 Universal Input		
		TF	10/13/2016	DWG REV	D1	DWG NO	AX022320-MD-A
		CHECKED	DATE	SCALE	full	PART NO	FG-AX022320
		APPROVED	DATE			SHEET	1 of 1