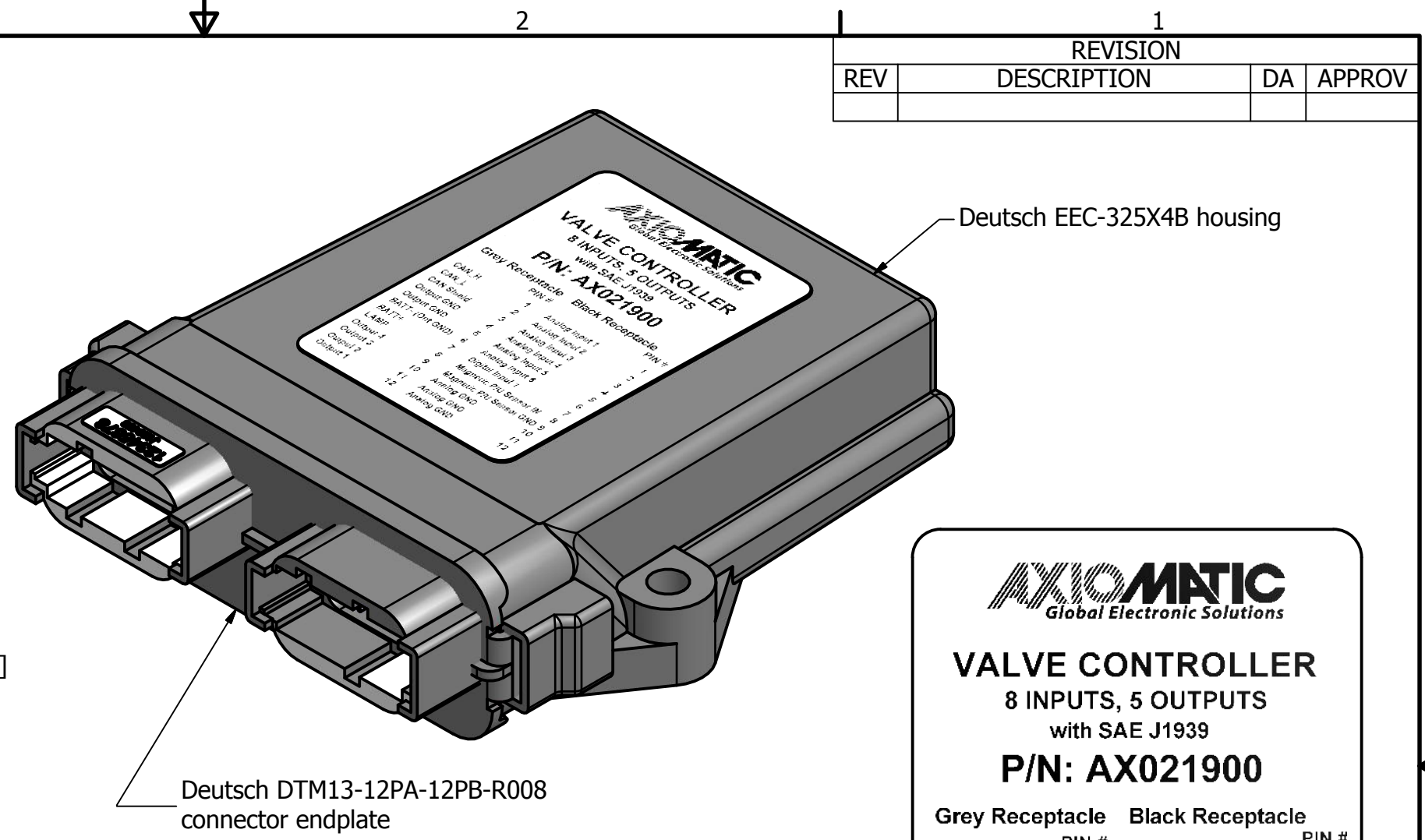
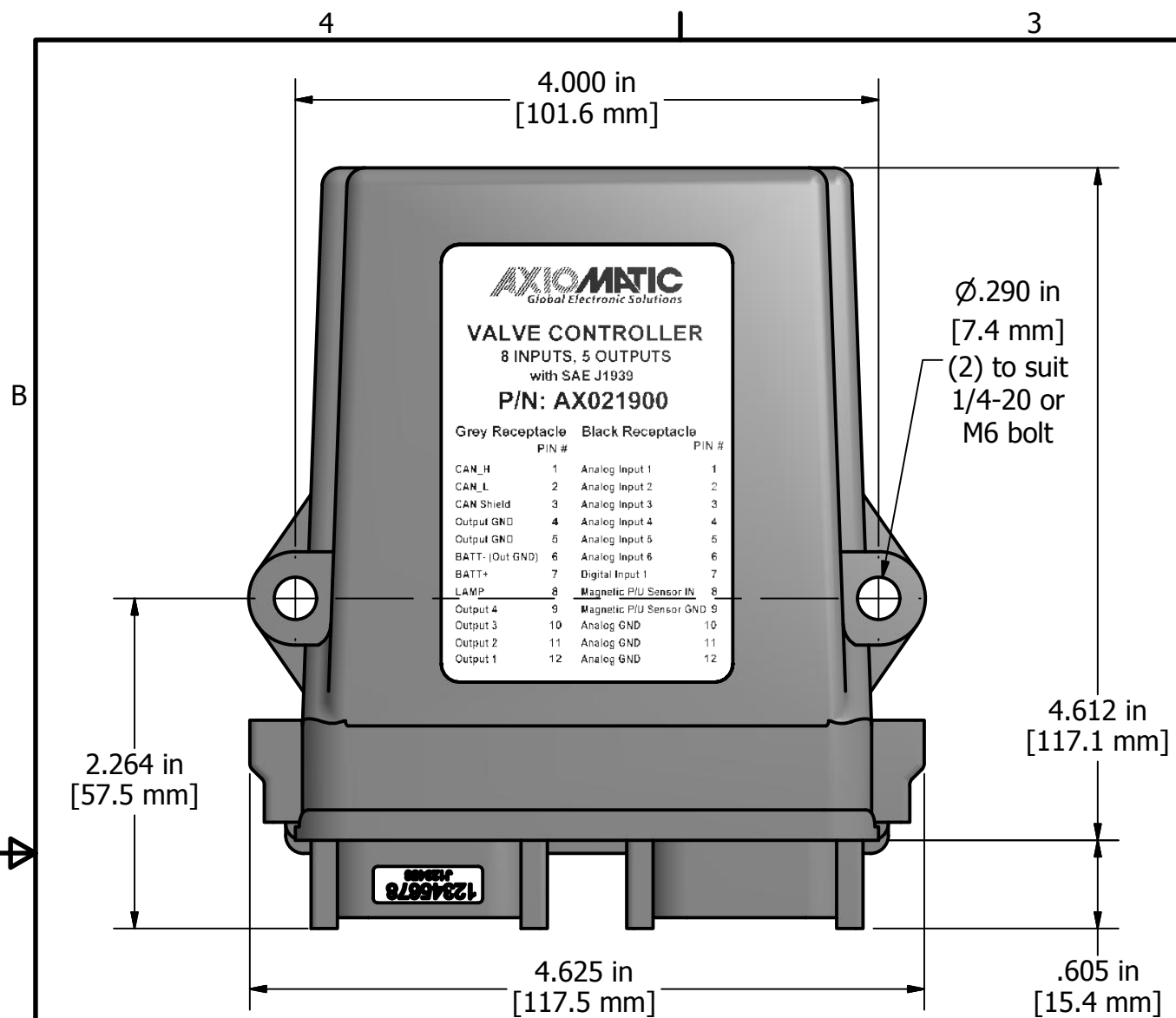


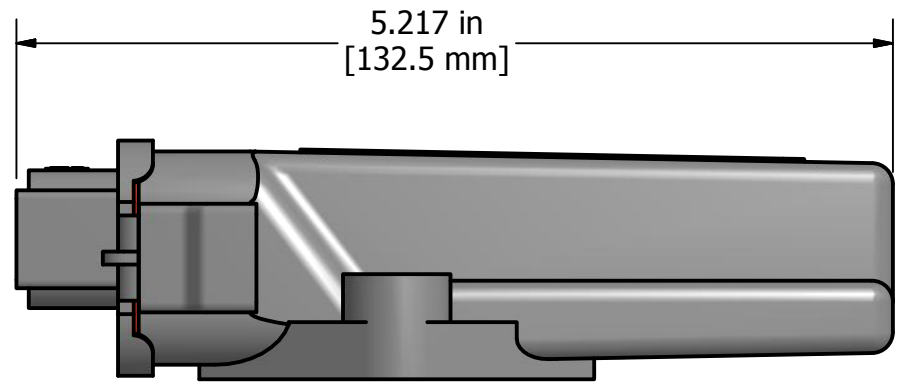
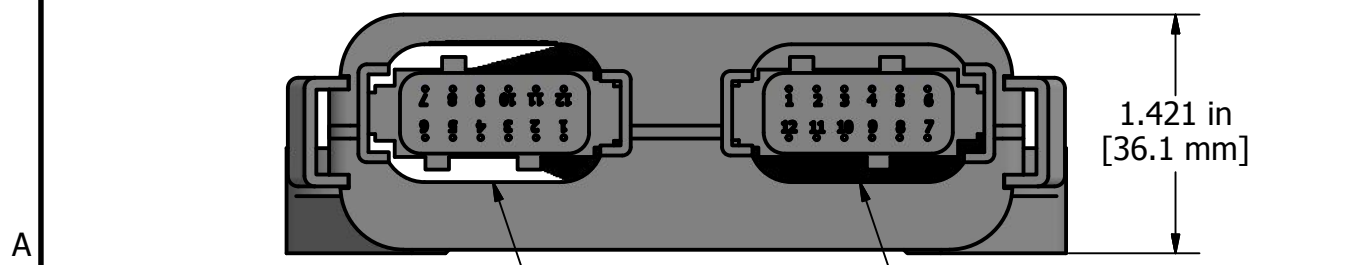
REVISION			
REV	DESCRIPTION	DA	APPROV



**AXIOMATIC**  
Global Electronic Solutions

**VALVE CONTROLLER**  
8 INPUTS, 5 OUTPUTS  
with SAE J1939  
**P/N: AX021900**

Grey Receptacle	Black Receptacle		
PIN #	PIN #		
CAN_H	1	Analog Input 1	1
CAN_L	2	Analog Input 2	2
CAN Shield	3	Analog Input 3	3
Output GND	4	Analog Input 4	4
Output GND	5	Analog Input 5	5
BATT- (Out GND)	6	Analog Input 6	6
BATT+	7	Digital Input 1	7
LAMP	8	Magnetic P/U Sensor IN	8
Output 4	9	Magnetic P/U Sensor GND	9
Output 3	10	Analog GND	10
Output 2	11	Analog GND	11
Output 1	12	Analog GND	12



gray receptacle keyed "A" mates with: DTM06-12SA plug

black receptacle keyed "B" mates with: DTM06-SB plug

TOLERANCES		MATERIAL		DRAWN		DATE		TITLE			
fabrication				TF	19-Jul-2012			8 Input 5 Output Valve Controller, SAE J1939			
X.XXX	+/- 0.015	X.XXX	+/- 0.001	CHECKED		DWG REV	D1	DWG NO	AX021900-MD	PART REV	A
X.XX	+/- 0.031	X.XX	+/- 0.005	APPROVED		SCALE	full	PART NO	AX021900	SHEET	1 of 1
X.X	+/- 0.031	X.X	+/- 0.015								
fractional	+/- 0.031	fractional	+/- 0.031								

**label detail**

