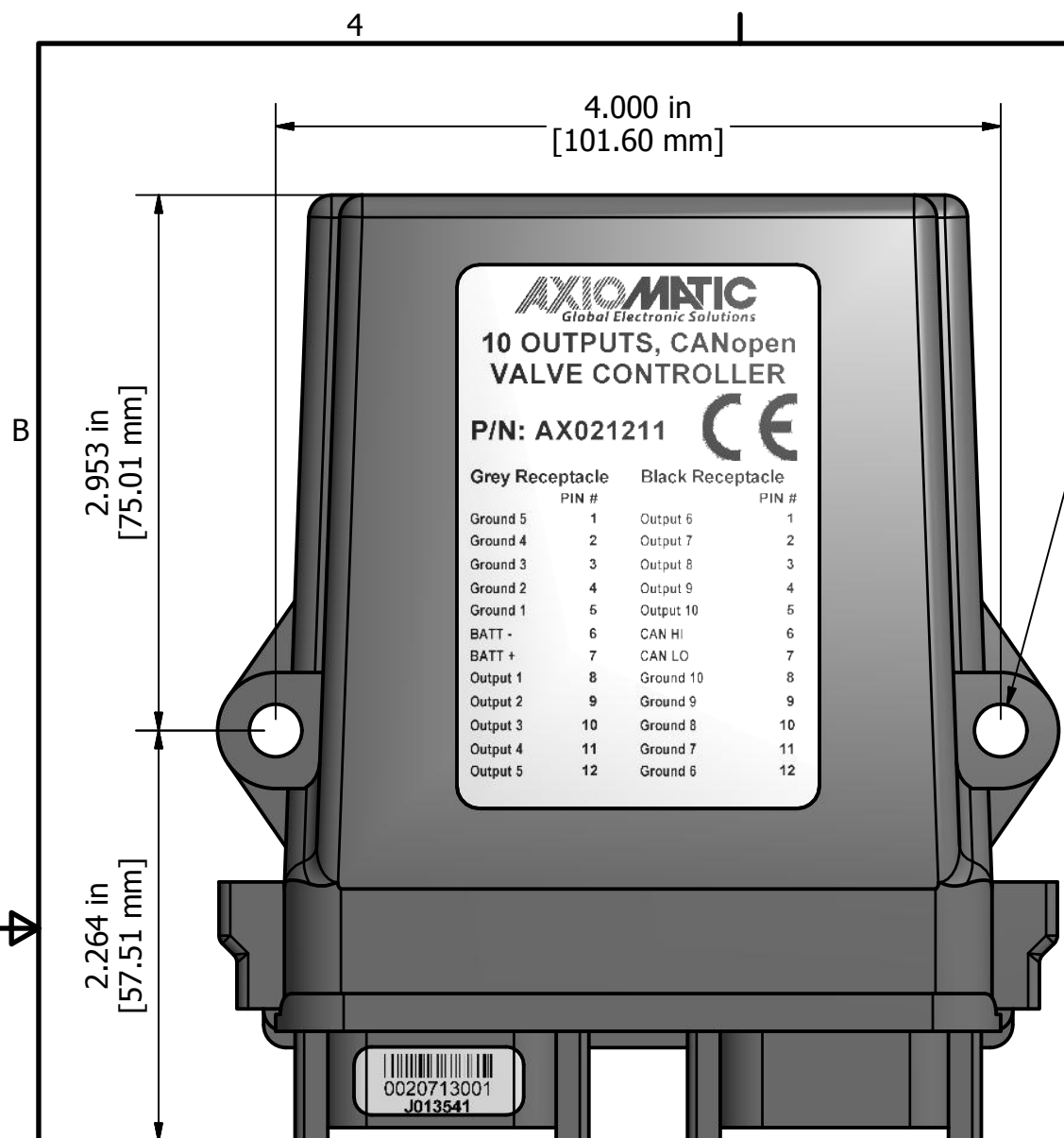
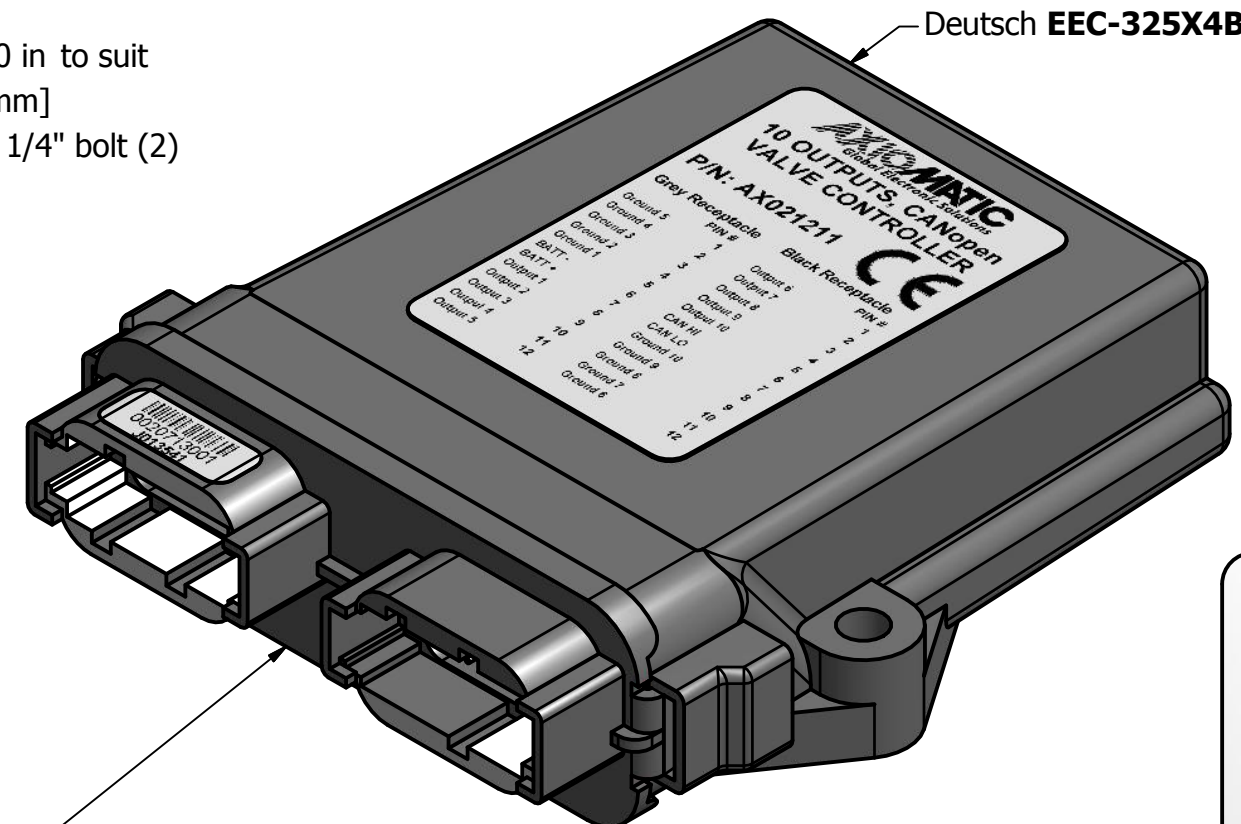


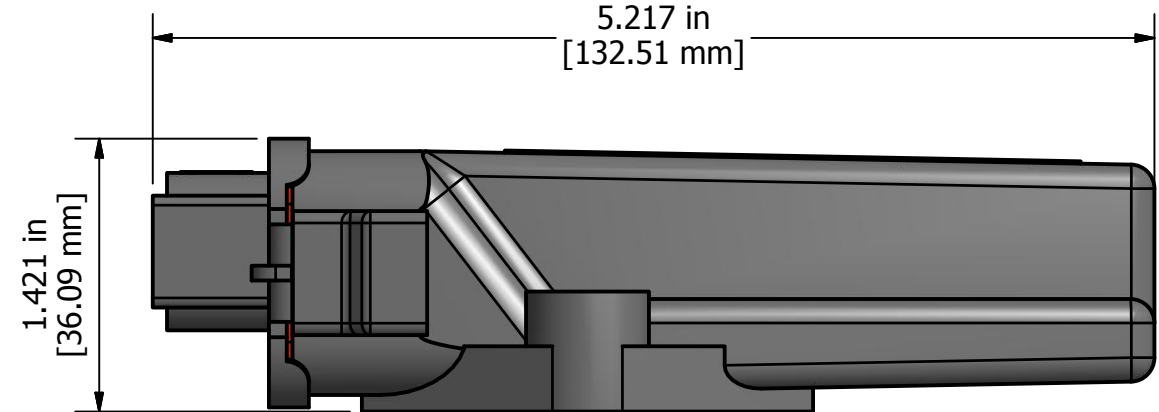
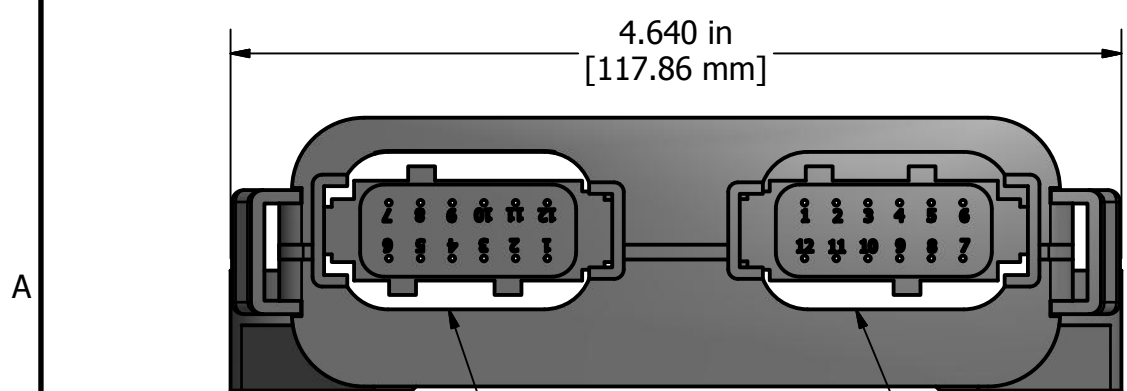
REVISION			
REV	DESCRIPTION	DATE	APPROV
A-D1	released to production	July 30-2014	NM



Ø0.290 in to suit
[7.37 mm]
an M6 or 1/4" bolt (2)



label detail



TOLERANCES		MATERIAL		DRAWN		DATE		TITLE		
fabrication	machining	nylon 6/6	glass fill housing	TF	30/07/2014	10 Valve Controller, CANopen				
X.XXX +/- 0.015	X.XXX +/- 0.005	FINISH		CHECKED	DATE	DWG REV	DWG NO	PART REV	AX021211-MD A	
X.XX +/- 0.031	X.XX +/- 0.010			DL		D1	AX021211-MD	A		
X.X +/- 0.031	X.X +/- 0.015	APPROVED	DATE	DL	DATE	SCALE	PART NO	SHEET	AX021211 1 of 1	
fractional +/- 0.031	fractional +/- 0.031					full	AX021211	1 of 1		

AXIOMATIC TECHNOLOGIES CORPORATION
5915 WALLACE ST.
MISSISSAUGA, ON
CANADA L4Z1Z8
905-602-9270