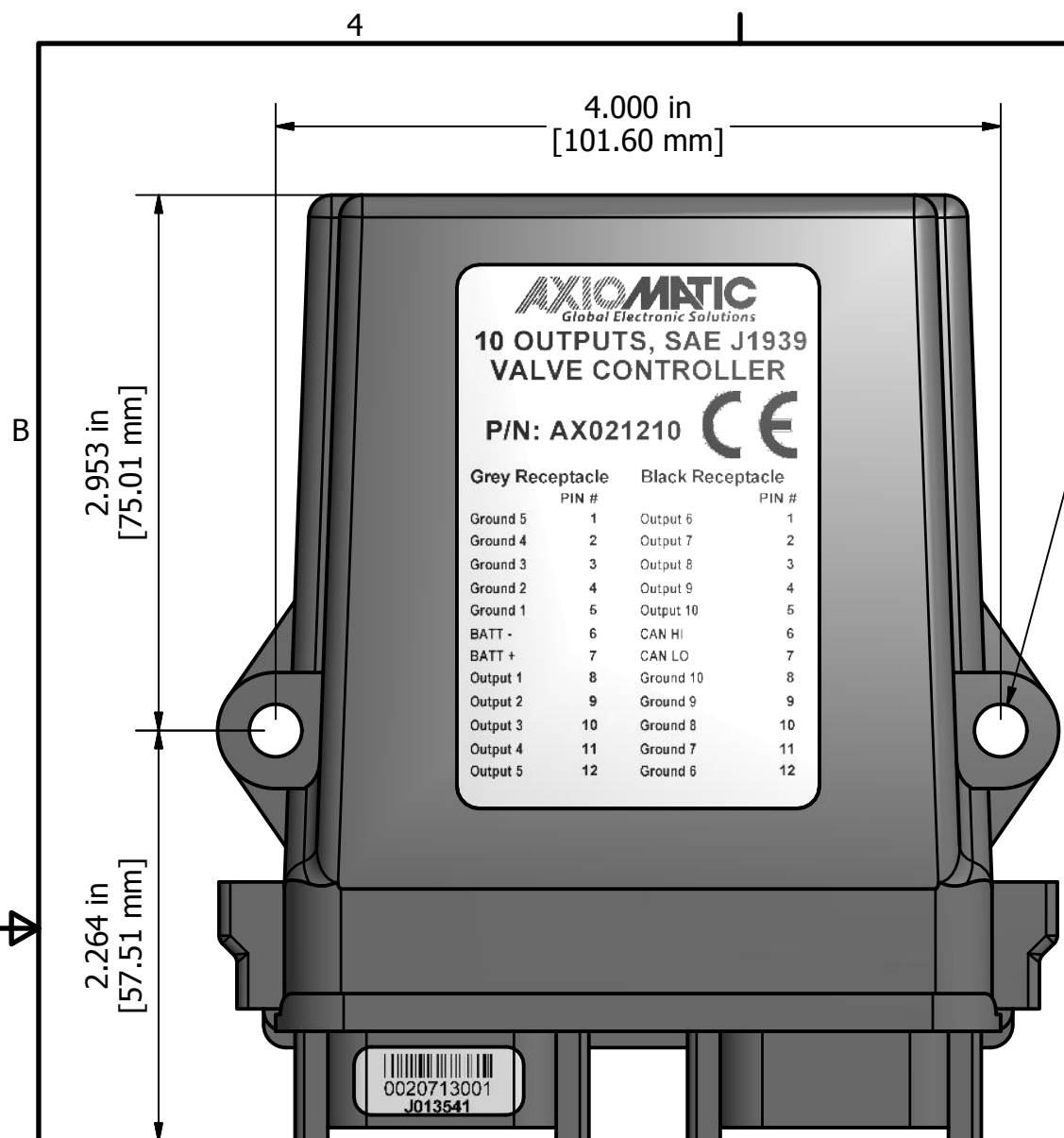
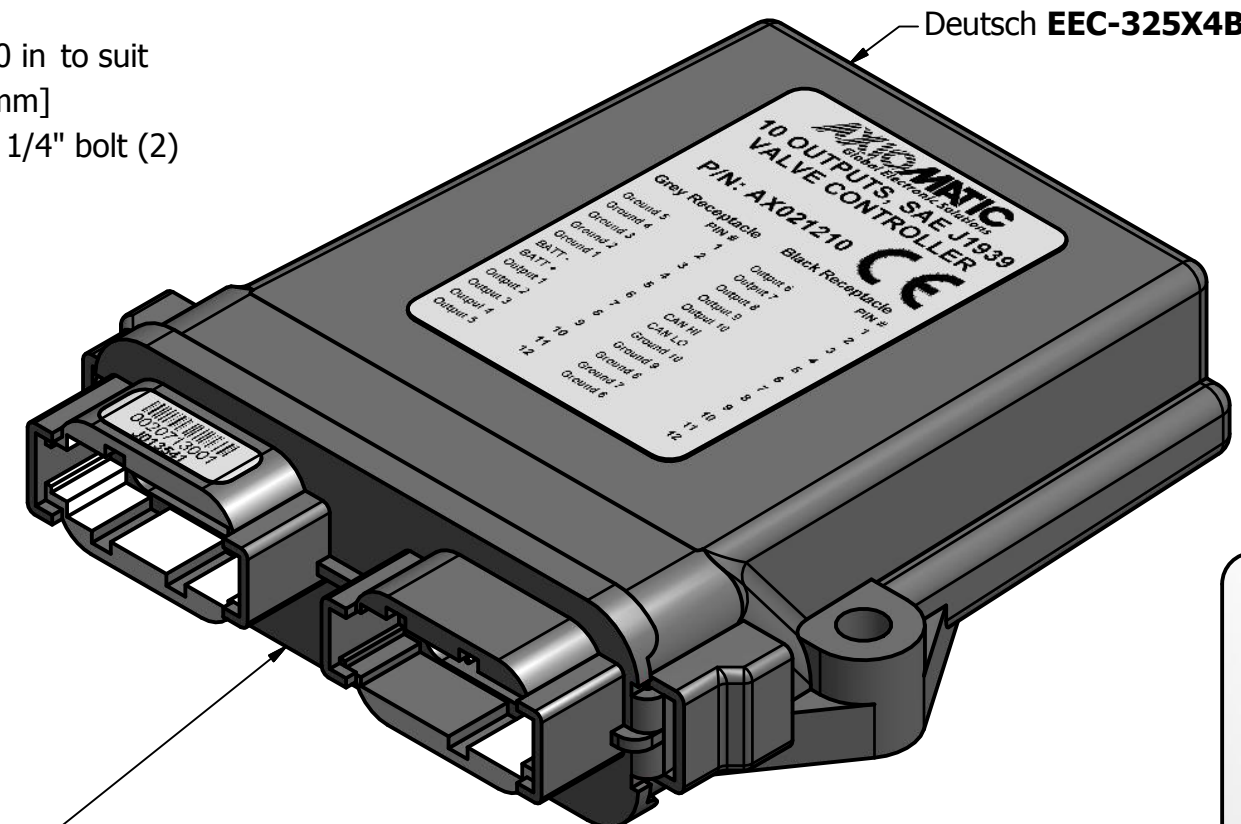


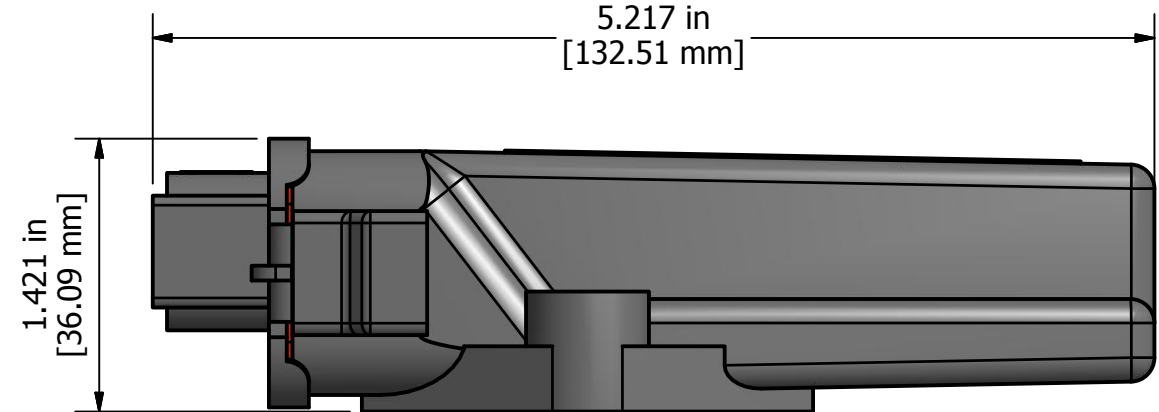
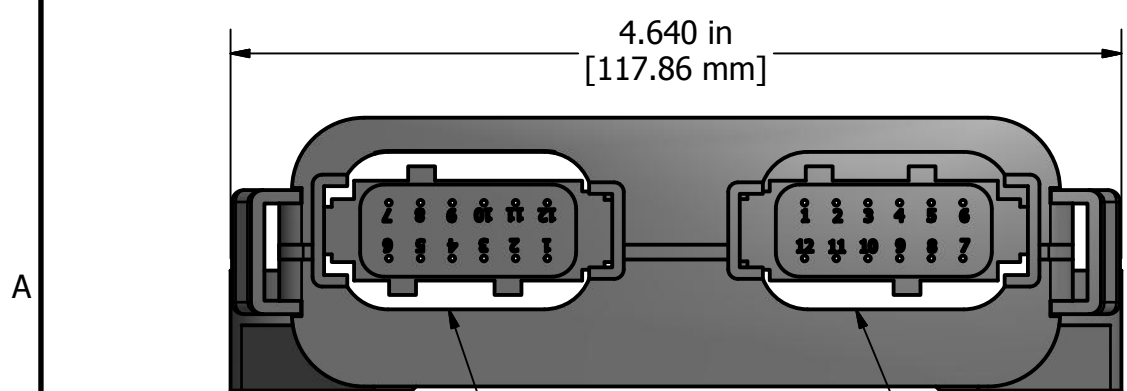
REVISION			
REV	DESCRIPTION	DATE	APPROV
A-D1	released to production	July 30-2014	NM



Ø0.290 in to suit [7.37 mm]
an M6 or 1/4" bolt (2)



label detail



TOLERANCES		MATERIAL		DRAWN		DATE		TITLE					
fabrication	X.XXX +/- 0.015	machining	X.XXX +/- 0.005	TF	30/07/2014			10 Valve Controller, SAE J1939					
X.XX	+/- 0.031	X.XX	+/- 0.010	CHECKED	DL	DATE		DWG REV	D1	DWG NO	AX021210-MD	PART REV	A
X.X	+/- 0.031	X.X	+/- 0.015	APPROVED	DL	DATE		SCALE	full	PART NO	AX021210	SHEET	1 of 1
fractional	+/- 0.031	fractional	+/- 0.031										

AXIOMATIC TECHNOLOGIES CORPORATION
5915 WALLACE ST.
MISSISSAUGA, ON
CANADA L4Z1Z8
905-602-9270