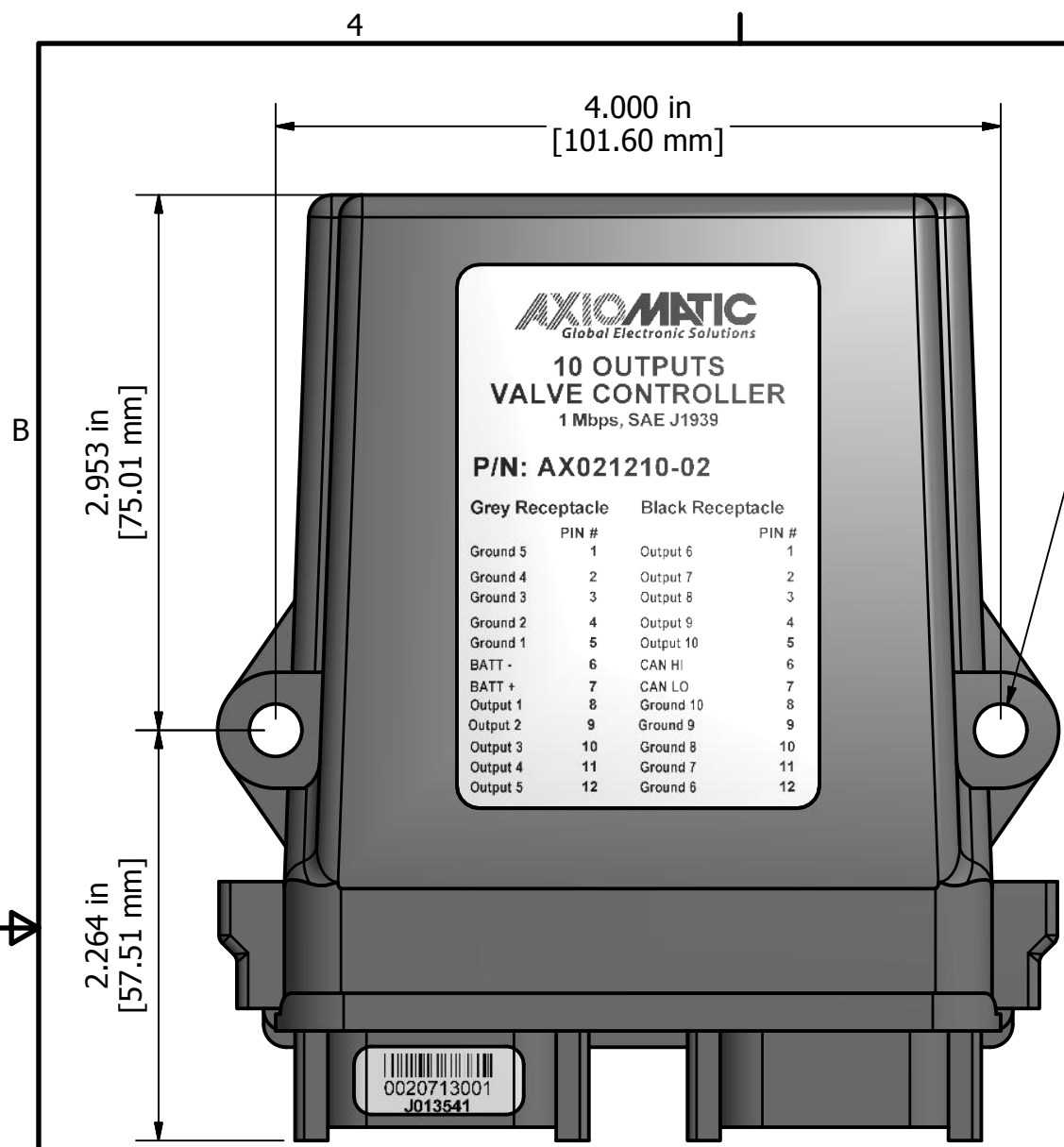
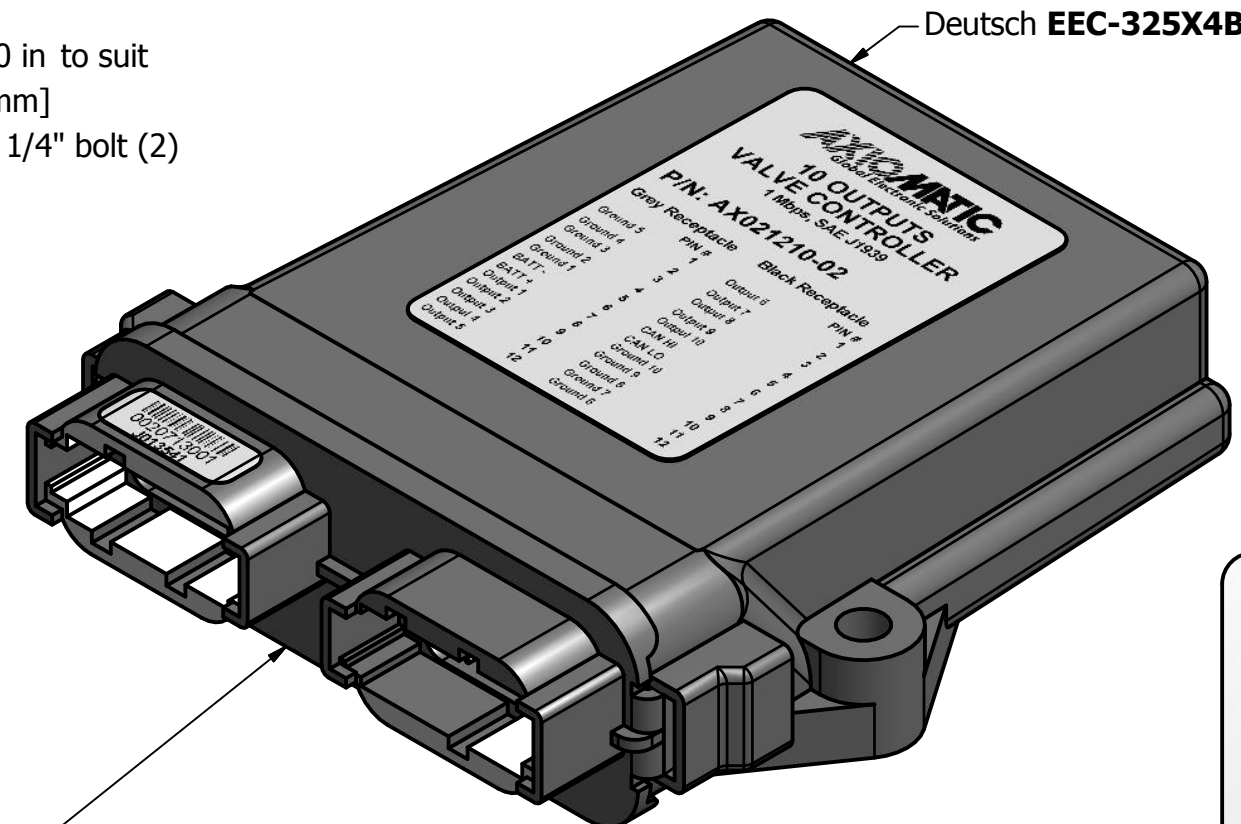


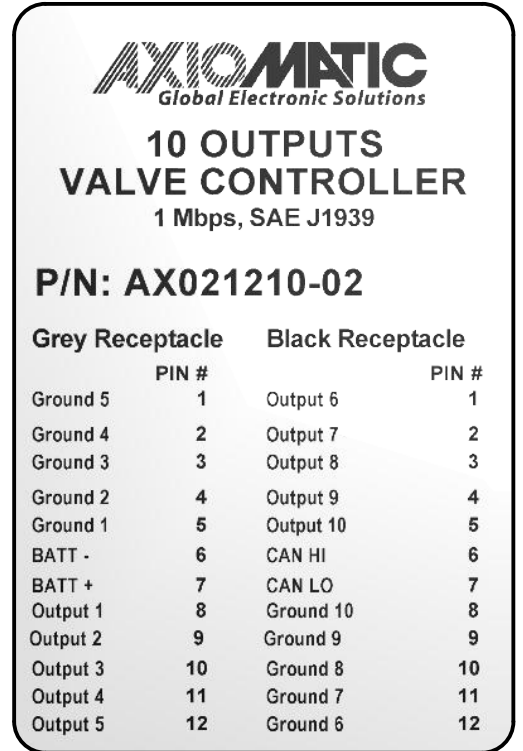
REVISION			
REV	DESCRIPTION	DATE	APPROV
A-D1	released to production ECN15-0023	May 7-2015	NM



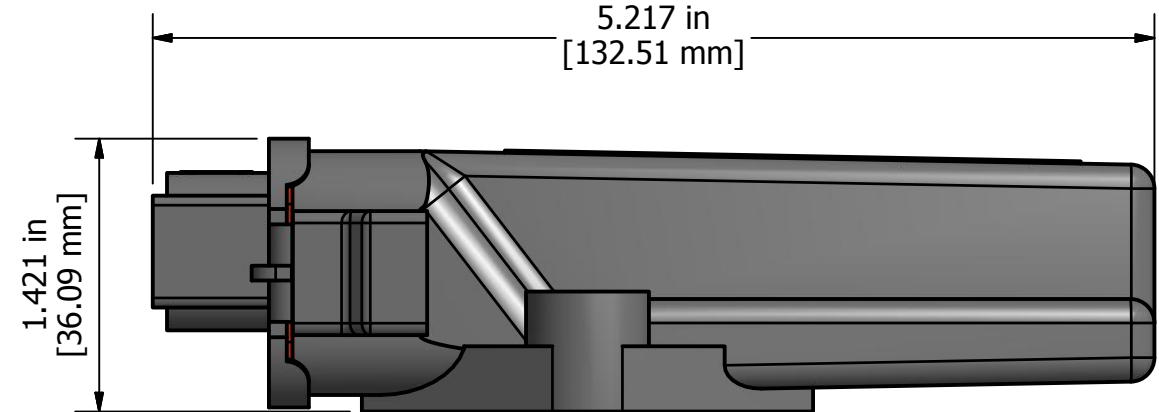
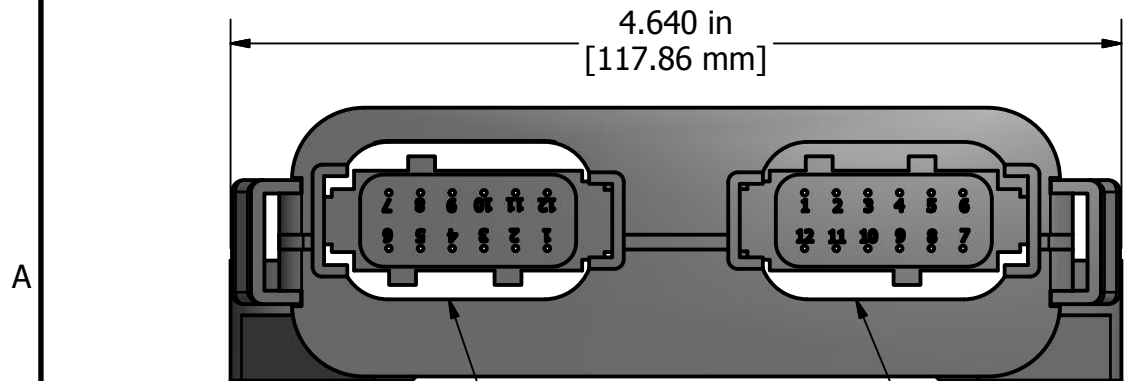
Ø0.290 in to suit
[7.37 mm]
an M6 or 1/4" bolt (2)



Deutsch **DTM13-12PA-12PB-R008**
connector endplate



label detail



TOLERANCES		MATERIAL		DRAWN		DATE		TITLE	
fabrication		nylon 6/6 glass fill housing	TF	TF	30/07/2014	10 Valve Controller, SAE J1939, 1Mbps			
X.XXX +/- 0.015	X.XXX +/- 0.005	FINISH	CHECKED	DL	DATE	DWG REV	DWG NO	PART REV	
X.XX +/- 0.031	X.XX +/- 0.010		APPROVED	DL	DATE	full	AX021210-02-MD	A	
X.X +/- 0.031	X.X +/- 0.015	SCALE		PART NO		SHEET			
fractional +/- 0.031	fractional +/- 0.031	full		AX021210-02		1 of 1			

AXIOMATIC TECHNOLOGIES CORPORATION
5915 WALLACE ST.
MISSISSAUGA, ON
CANADA L4Z1Z8
905-602-9270