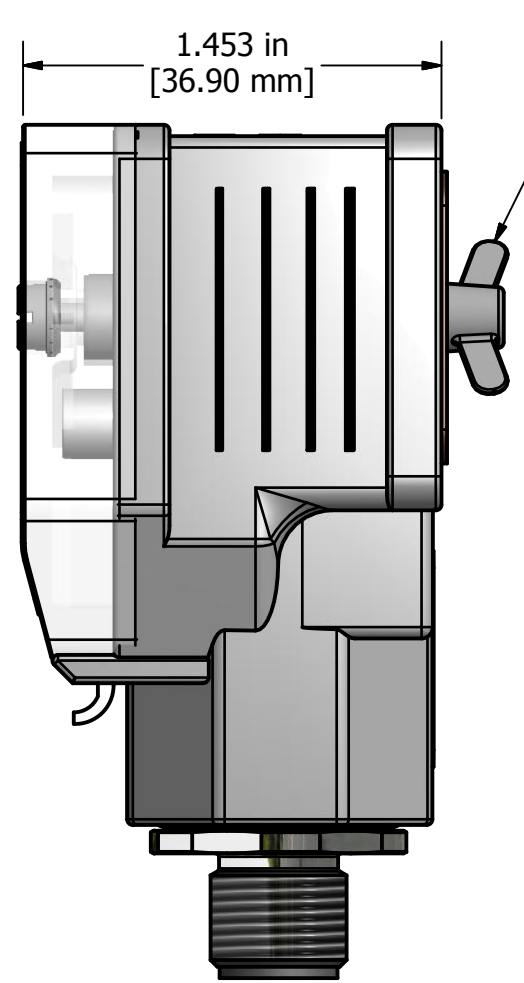
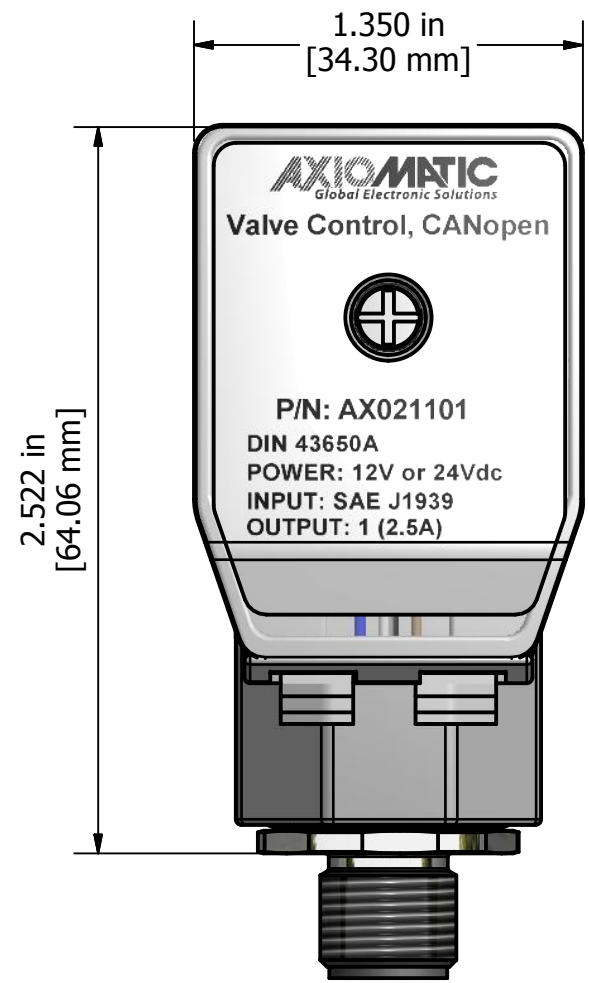
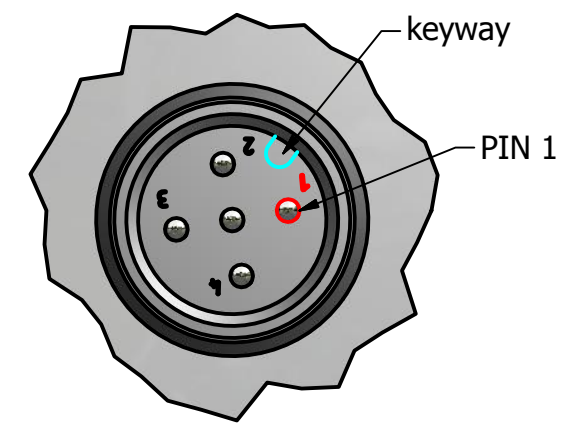
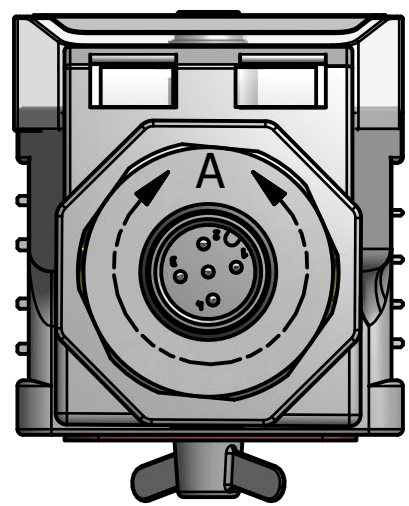
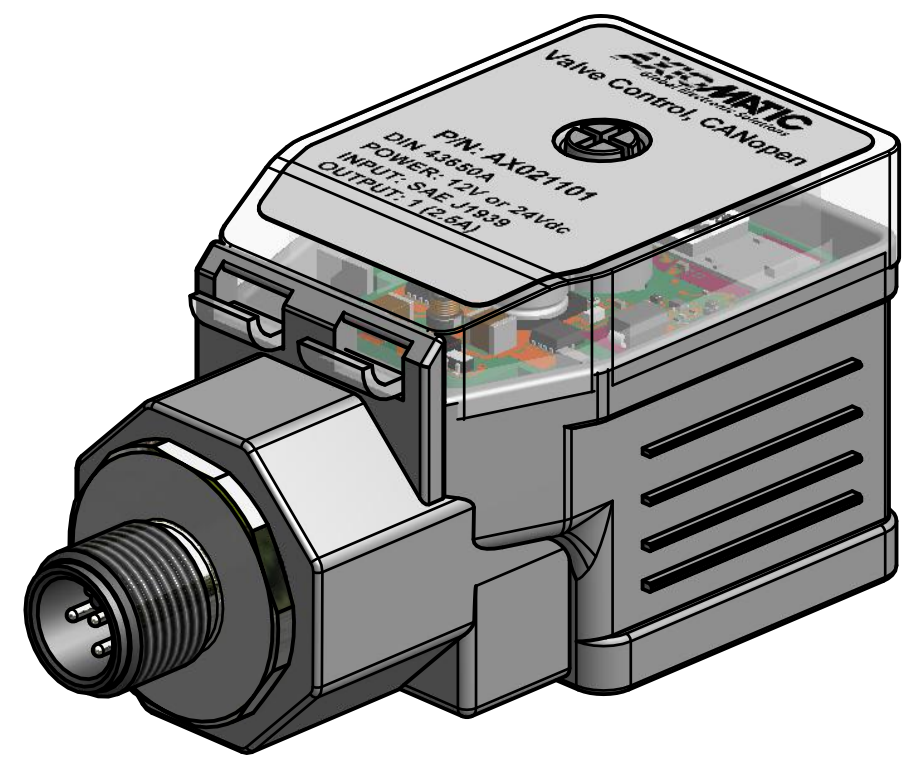
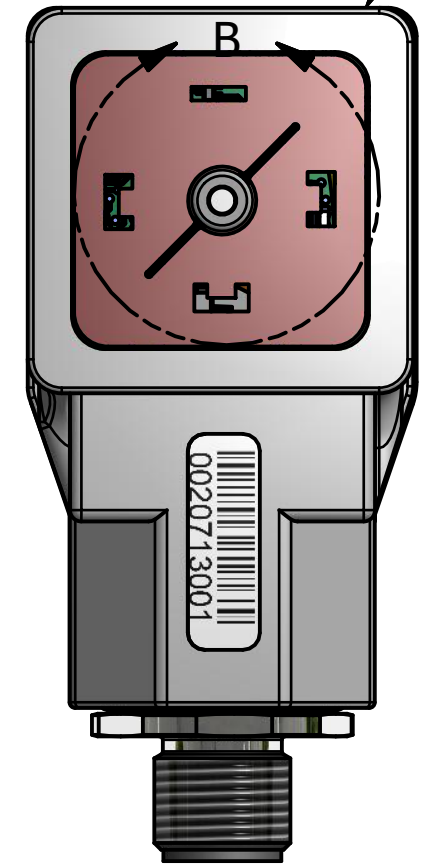


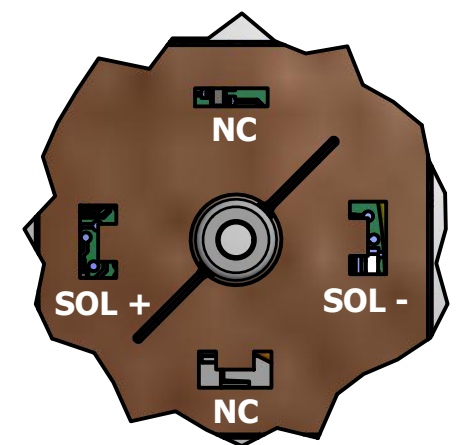
4 3 2 1



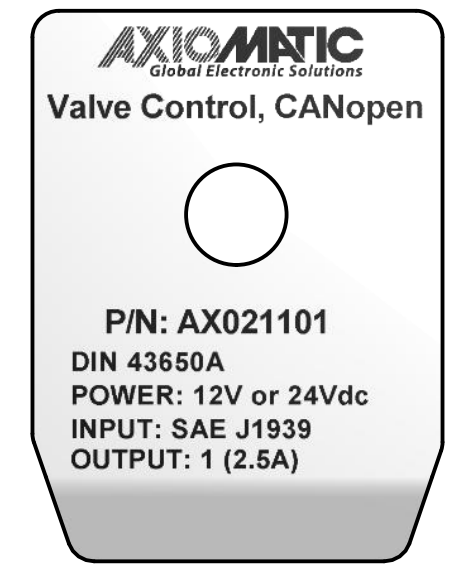
M3 x 40 mounting screw (shipped with M3 wing nut)
Hirschmann PA66 DIN enclosure



DETAIL A
M12 A coded male connector pinout



DETAIL B
DIN 43650A plug pin assignments



TOLERANCES			
fabrication	+/- 0.015	machining	+/- 0.005
X.XXX		X.XXX	
X.XX	+/- 0.031	X.XX	+/- 0.010
X.X	+/- 0.031	X.X	+/- 0.015
fractional	+/- 0.031	fractional	+/- 0.031

<small>PROPRIETARY</small> THE INFORMATION CONTAINED IN THIS DRAWING IS CONFIDENTIAL AND PROPRIETARY AND REMAINS THE EXCLUSIVE PROPERTY OF AXIOMATIC TECHNOLOGIES CORPORATION. THIS DRAWING MAY NOT BE USED, REPRODUCED IN WHOLE OR IN PART, NOR REVEALED TO OTHERS WITHOUT THE PRIOR WRITTEN CONSENT OF AXIOMATIC TECHNOLOGIES CORPORATION. BY ACCEPTANCE OF THIS DRAWING, THE BEARER AGREES TO THESE CONDITIONS.		AXIOMATIC TECHNOLOGIES CORPORATION 5915 WALLACE ST. MISSISSAUGA, ON CANADA L4Z1Z8 905-602-9270	
MATERIAL	DRAWN TF	DATE 12/17/2018	TITLE Valve Controller, CANopen
FINISH	CHECKED	DATE	DWG REV D1
	APPROVED	DATE	DWG NO AX021101-MD
		SCALE full	PART NO AX021101
		SHEET 1 of 1	

4 3 2 1