

4

3

2

1

1.350 in
[34.30 mm]

2.522 in
[64.06 mm]

1.453 in
[36.90 mm]

M3 x 40 mounting screw
(shipped with M3 wing nut)

Hirschmann PA66
DIN enclosure

AXIOMATIC
Global Electronic Solutions
Valve Control, J1939



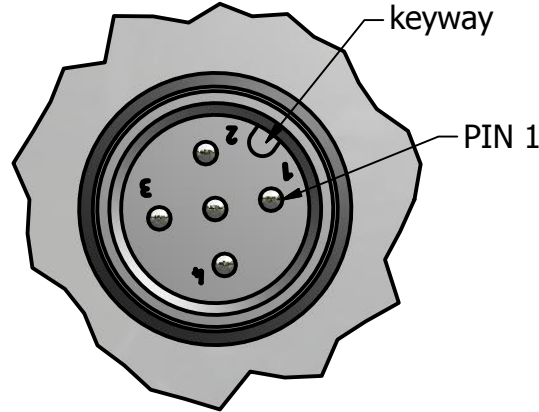
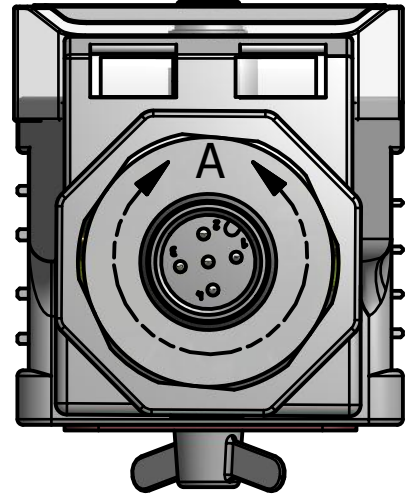
P/N: AX021100
DIN 43650A
POWER: 12V or 24Vdc
INPUT: SAE J1939
OUTPUT: 1 (2.5A)

B

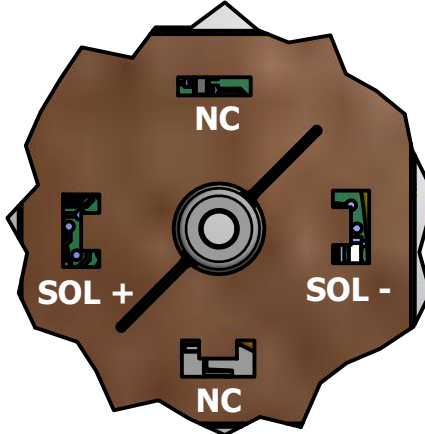


AXIOMATIC
Global Electronic Solutions
Valve Control, J1939

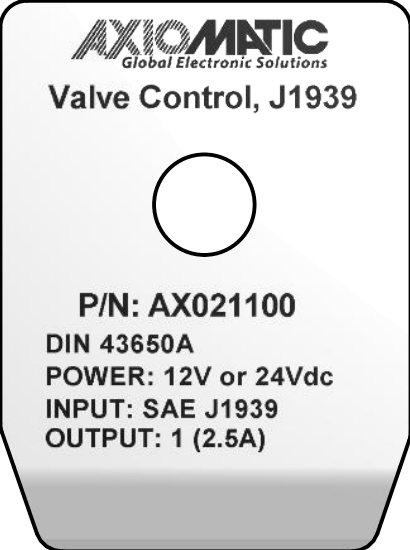
P/N: AX021100
DIN 43650A
POWER: 12V or 24Vdc
INPUT: SAE J1939
OUTPUT: 1 (2.5A)



DETAIL A
M12 A coded male
connector pinout



DETAIL B
DIN 43650A plug
pin assignments



TOLERANCES			
fabrication	+/- 0.015	machining	+/- 0.005
X.XXX		X.XXX	
X.XX	+/- 0.031	X.XX	+/- 0.010
X.X	+/- 0.031	X.X	+/- 0.015
fractional	+/- 0.031	fractional	+/- 0.031

<small>PROPRIETARY</small> <small>THE INFORMATION CONTAINED IN THIS DRAWING IS CONFIDENTIAL AND PROPRIETARY AND REMAINS THE EXCLUSIVE PROPERTY OF AXIOMATIC TECHNOLOGIES CORPORATION. THIS DRAWING MAY NOT BE USED, REPRODUCED IN WHOLE OR IN PART, NOR REVEALED TO OTHERS WITHOUT THE PRIOR WRITTEN CONSENT OF AXIOMATIC TECHNOLOGIES CORPORATION. BY ACCEPTANCE OF THIS DRAWING, THE BEARER AGREES TO THESE CONDITIONS.</small>		<small>AXIOMATIC TECHNOLOGIES CORPORATION</small> <small>5915 WALLACE ST.</small> <small>MISSISSAUGA, ON</small> <small>CANADA L4Z1Z8</small> <small>905-602-9270</small>	
<small>AXIOMATIC</small> <small>Global Electronic Solutions</small>		Valve Controller, J1939	
MATERIAL	DRAWN TF	DATE 8/1/2018	TITLE
FINISH	CHECKED	DATE	DWG REV D1
	APPROVED	DATE	DWG NO AX021100-MD
			PART NO AX021100
			SHEET 1 of 1

4

3

2

1