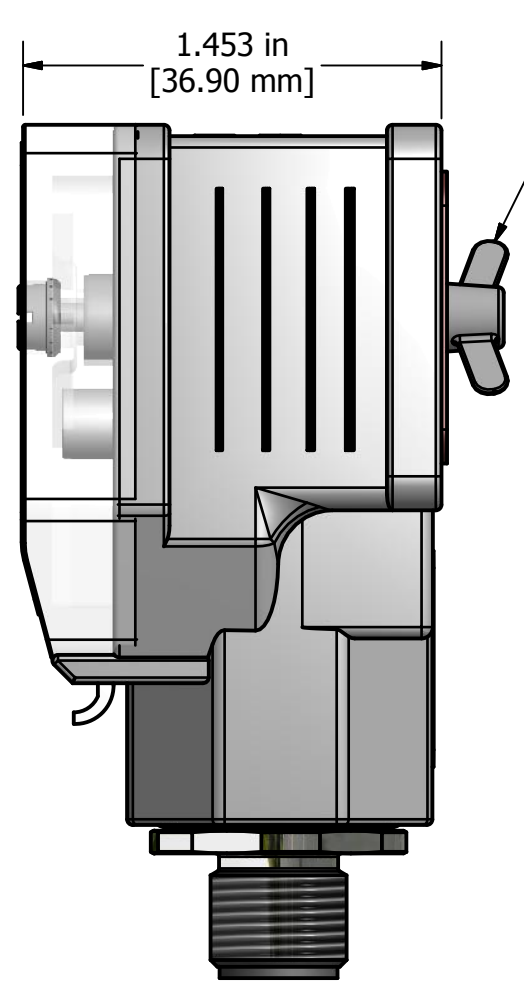
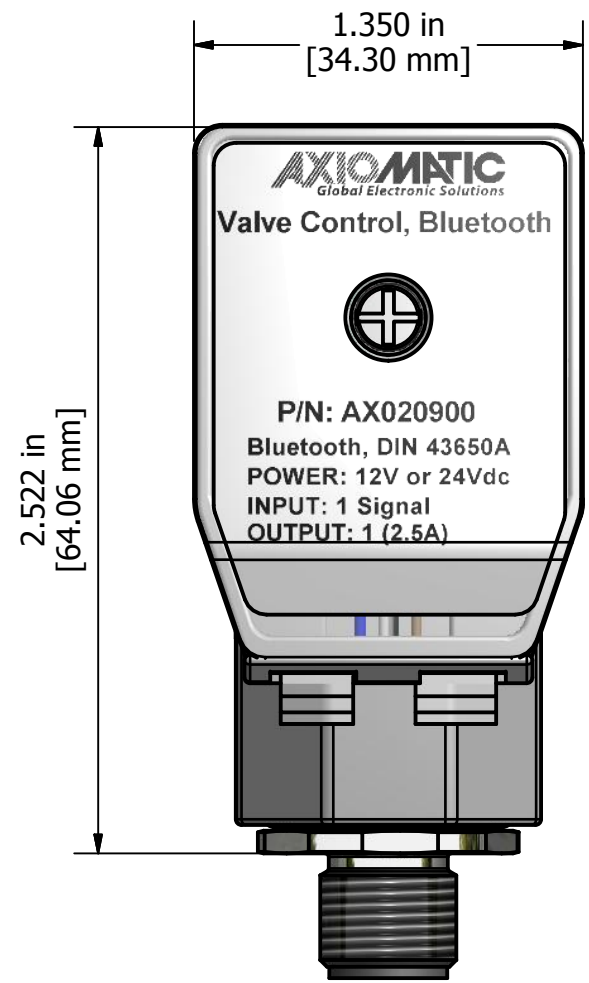
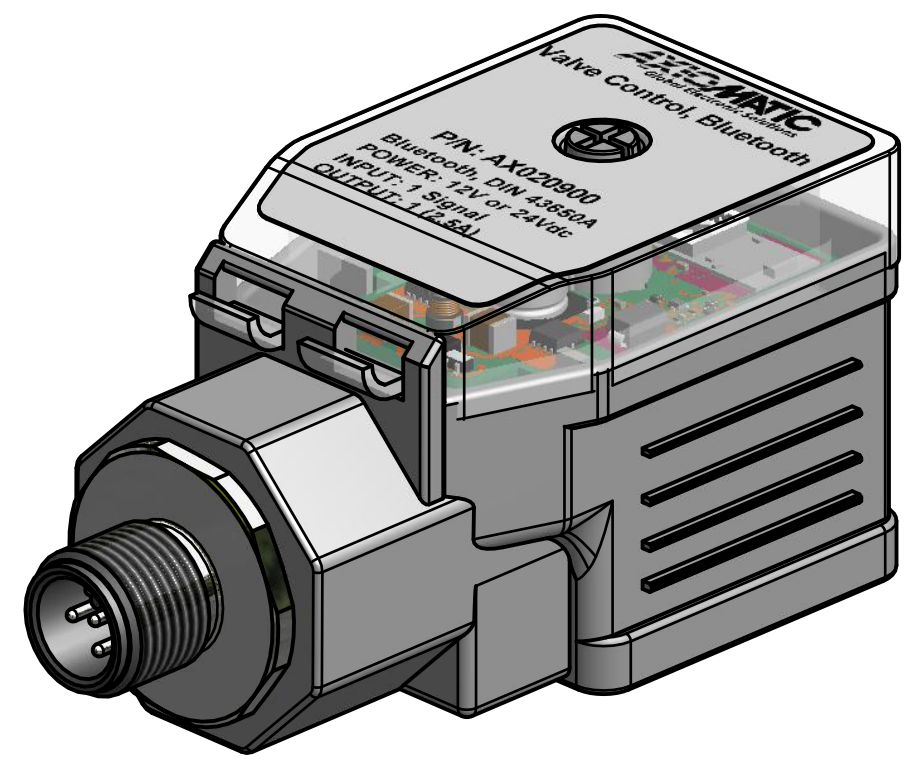
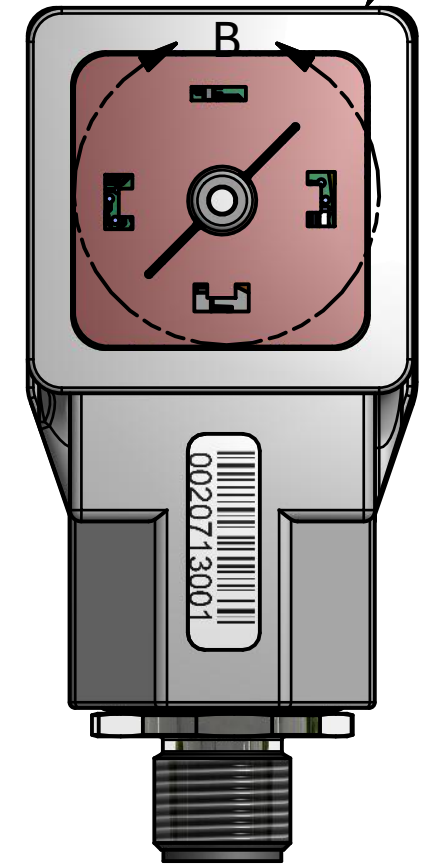


4 3 2 1



M3 x 40 mounting screw (shipped with M3 wing nut)
Hirschmann PA66 DIN enclosure

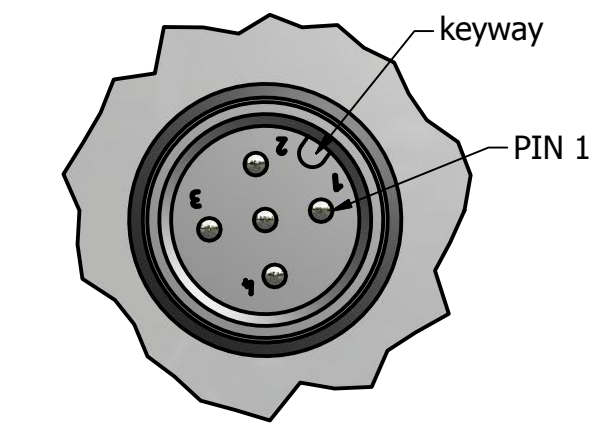
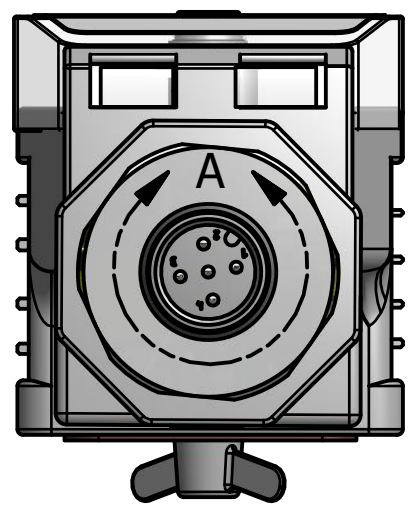


B

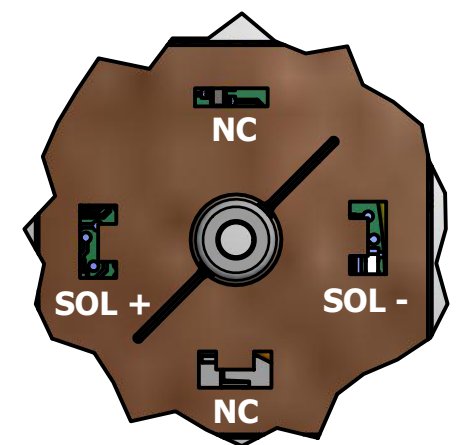
B

A

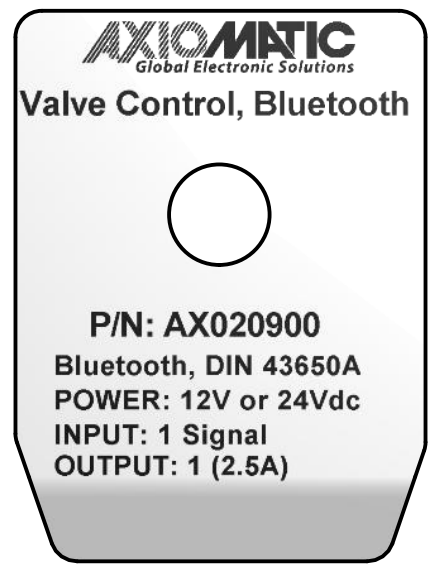
A



DETAIL A
M12 A coded male connector pinout



DETAIL B
DIN 43650A plug pin assignments



<small>PROPRIETARY</small> THE INFORMATION CONTAINED IN THIS DRAWING IS CONFIDENTIAL AND PROPRIETARY AND REMAINS THE EXCLUSIVE PROPERTY OF AXIOMATIC TECHNOLOGIES CORPORATION. THIS DRAWING MAY NOT BE USED, REPRODUCED IN WHOLE OR IN PART, NOR REVEALED TO OTHERS WITHOUT THE PRIOR WRITTEN CONSENT OF AXIOMATIC TECHNOLOGIES CORPORATION. BY ACCEPTANCE OF THIS DRAWING, THE BEARER AGREES TO THESE CONDITIONS.		<small>AXIOMATIC TECHNOLOGIES CORPORATION</small> AXIOMATIC Global Electronic Solutions 5915 WALLACE ST. MISSISSAUGA, ON CANADA L4Z1Z8 905-602-9270			
MATERIAL		DRAWN TF	DATE 7/19/2018	TITLE Valve Controller with Bluetooth	
FINISH		CHECKED	DATE	DWG REV D1	DWG NO AX020900-MD
		APPROVED	DATE	SCALE full	PART NO AX020900
				SHEET 1 of 1	PART REV 1

TOLERANCES			
fabrication		machining	
X.XXX	+/- 0.015	X.XXX	+/- 0.005
X.XX	+/- 0.031	X.XX	+/- 0.010
X.X	+/- 0.031	X.X	+/- 0.015
fractional	+/- 0.031	fractional	+/- 0.031

A

A

4

3

4

2

1