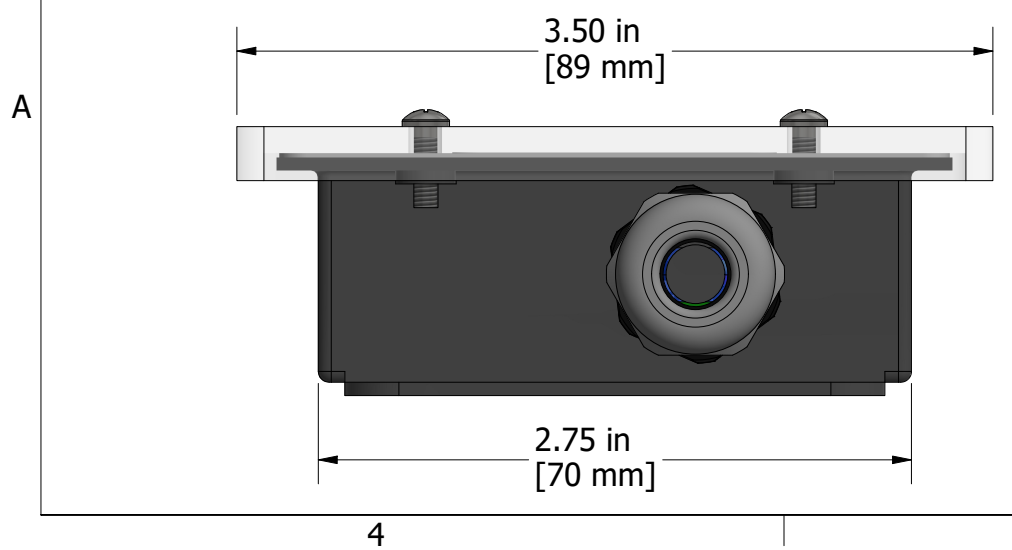


| REVISION HISTORY | | | |
|------------------|-----------------|----------------|----------|
| REV | DESCRIPTION | DATE | APPROVED |
| R1-D1 | initial release | August 10-2023 | GDV |
| R1-D2 | updated pinouts | March 13-2024 | GDV |



unit label



| wire signal assignment | | |
|------------------------|---------------|---------------|
| PIN | WIRE | SIGNAL |
| 1 | black | POWER - |
| 2 | red | POWER+ |
| 3 | orange/black | SOLENOID - |
| 4 | orange/red | SOLENOID + |
| 5 | yellow | INPUT + |
| 6 | ywellow/black | INPUT GND |
| 7 | purple | AUX OUTPUT |
| 8 | yellow/red | +5V REFERENCE |

| | | | | | | | |
|-----------------------------------------------------------------------------------------------------------------------|--|--------------------------------------------------------------|----------------------------------------------------------------------|------------------------------------|------------------------------------------------------------------------------------------------------|-------------------------------------------------------------------------------------------------------------------------------------------------------------|---------------------------------------------|
| DIMENSIONS ARE IN mm UNLESS OTHERWISE SPECIFIED IN DRAWING TOLERANCE ON: X.X ± 0.5 X. ± 1 ANGLES ± 1.0 | | MATERIAL NA FINISH NA THIRD ANGLE PROJECTION | DRAWN TF CHECKED TF INVENTOR GDV TOOL SIZE B | DATE 2023-08-10 DATE DATE | TITLE Universal Input, Single Output 5A Valve Controller, NFC DWG REV D2 SCALE 1.5 | AXIOMATIC TECHNOLOGIES CORPORATION 1445 Courtneypark Dr. MISSISSAUGA, ON CANADA L5T2E3 905-602-9270 AXIOMATIC Global Electronic Solutions | PART NO AX020720-1.5M SHEET 1 of 1 |
|-----------------------------------------------------------------------------------------------------------------------|--|--------------------------------------------------------------|----------------------------------------------------------------------|------------------------------------|------------------------------------------------------------------------------------------------------|-------------------------------------------------------------------------------------------------------------------------------------------------------------|---------------------------------------------|