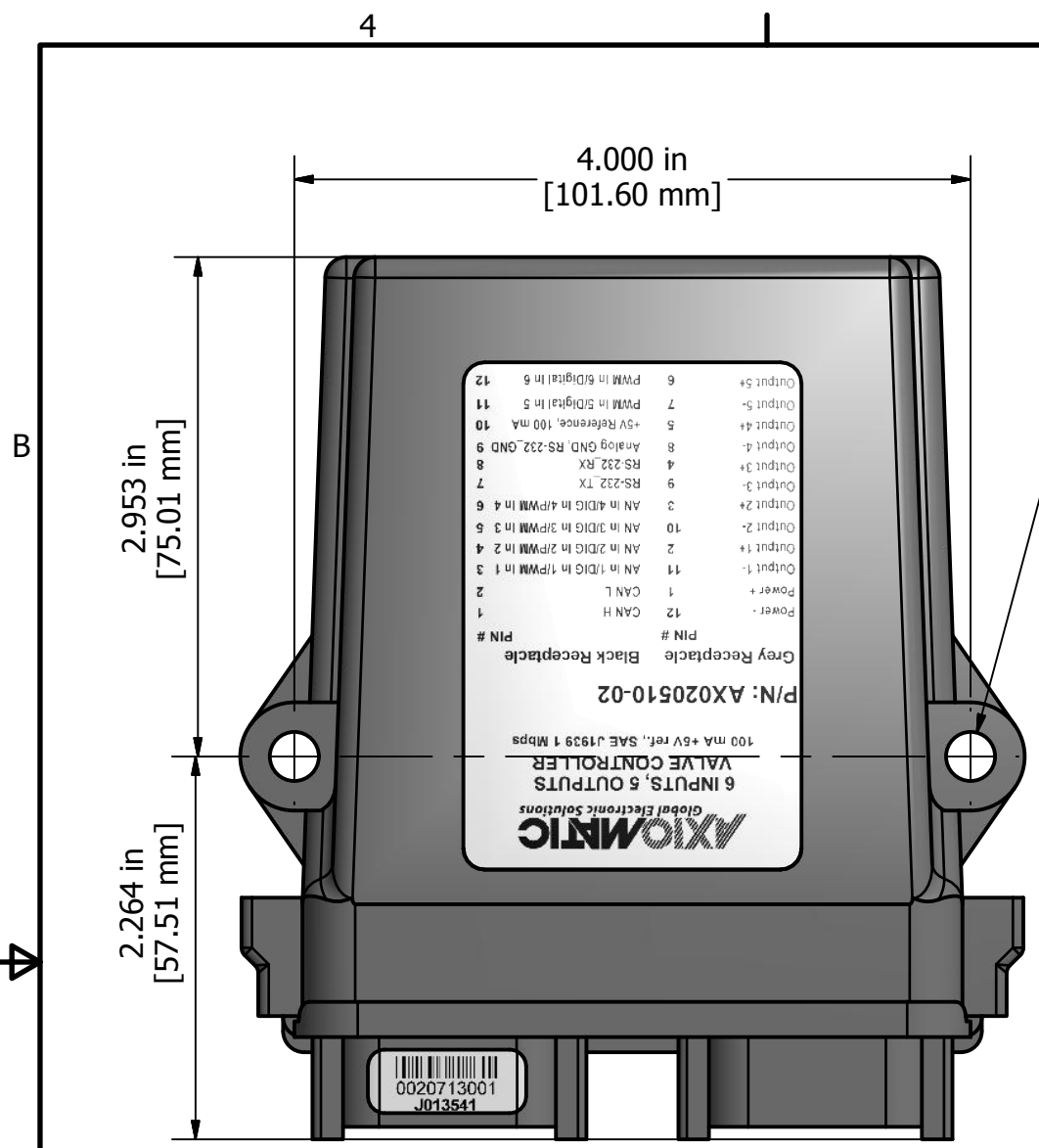
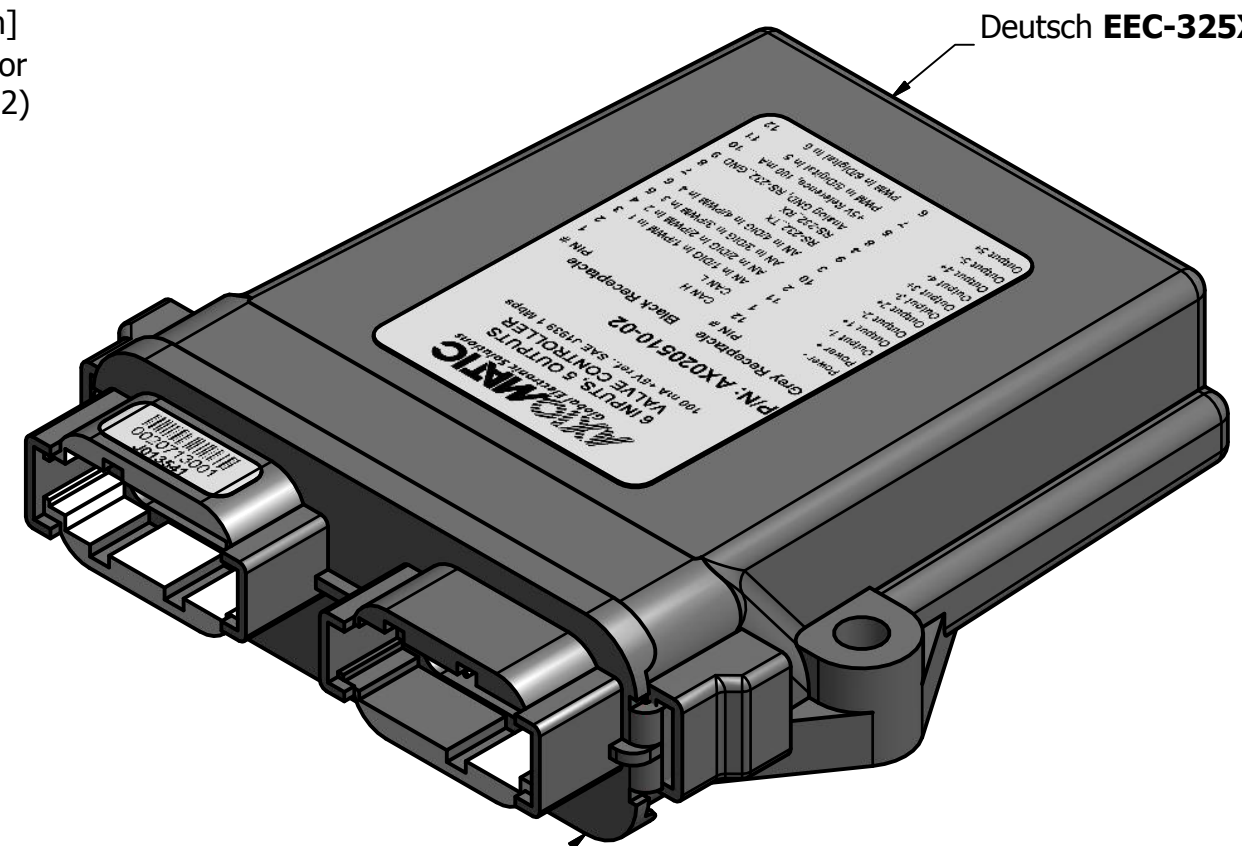


REVISION			
REV	DESCRIPTION	DATE	APPROV
A-D1	release to production (ECN15-0024)	April 30-2015	NM



Ø0.290 in [7.37 mm] to suit M6 or 1/4" bolt (2)



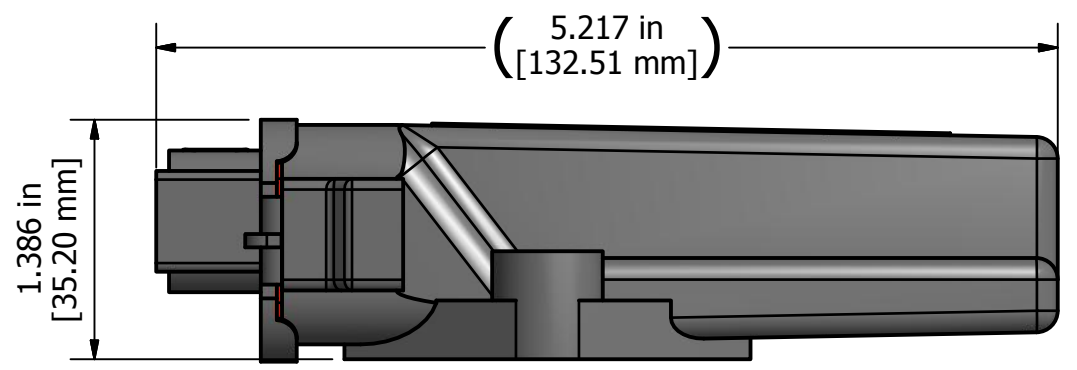
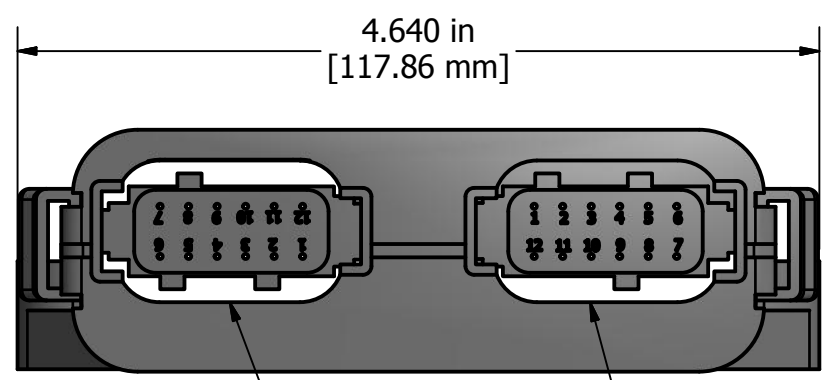
Deutsch **DTM13-12PA-12PB-R008** connector endplate

AXIOMATIC
Global Electronic Solutions

**6 INPUTS, 5 OUTPUTS
VALVE CONTROLLER**
100 mA +5V ref., SAE J1939 1 Mbps

P/N: AX020510-02

	Grey Receptacle	Black Receptacle	
	PIN #	PIN #	
Power -	12	CAN H	1
Power +	1	CAN L	2
Output 1-	11	AN In 1/DIG In 1/PWM In 1	3
Output 1+	2	AN In 2/DIG In 2/PWM In 2	4
Output 2-	10	AN In 3/DIG In 3/PWM In 3	5
Output 2+	3	AN In 4/DIG In 4/PWM In 4	6
Output 3-	9	RS-232_TX	7
Output 3+	4	RS-232_RX	8
Output 4-	8	Analog GND, RS-232_GND	9
Output 4+	5	+5V Reference, 100 mA	10
Output 5-	7	PWM In 5/Digital In 5	11
Output 5+	6	PWM In 6/Digital In 6	12



TOLERANCES		MATERIAL nylon 6/6 housing with silicone gasket	DRAWN DATE 06/08/2014	TITLE 6 Input, 5 Output Valve Controller, SAEJ1939, 1 Mbps		
fabrication	machining			DWG REV	DWG NO	PART REV
X.XXX +/- 0.015	X.XXX +/- 0.005	full	D1	FG-AX020510-02	A	
X.XX +/- 0.031	X.XX +/- 0.010		SCALE	PART NO	SHEET	
X.X +/- 0.031	X.X +/- 0.015		full	FG-AX020510-02	1 of 1	
fractional +/- 0.031	fractional +/- 0.031					

AXIOMATIC
Global Electronic Solutions
AXIOMATIC TECHNOLOGIES CORPORATION
5915 WALLACE ST.
MISSISSAUGA, ON
CANADA L4Z1Z8
905-602-9270