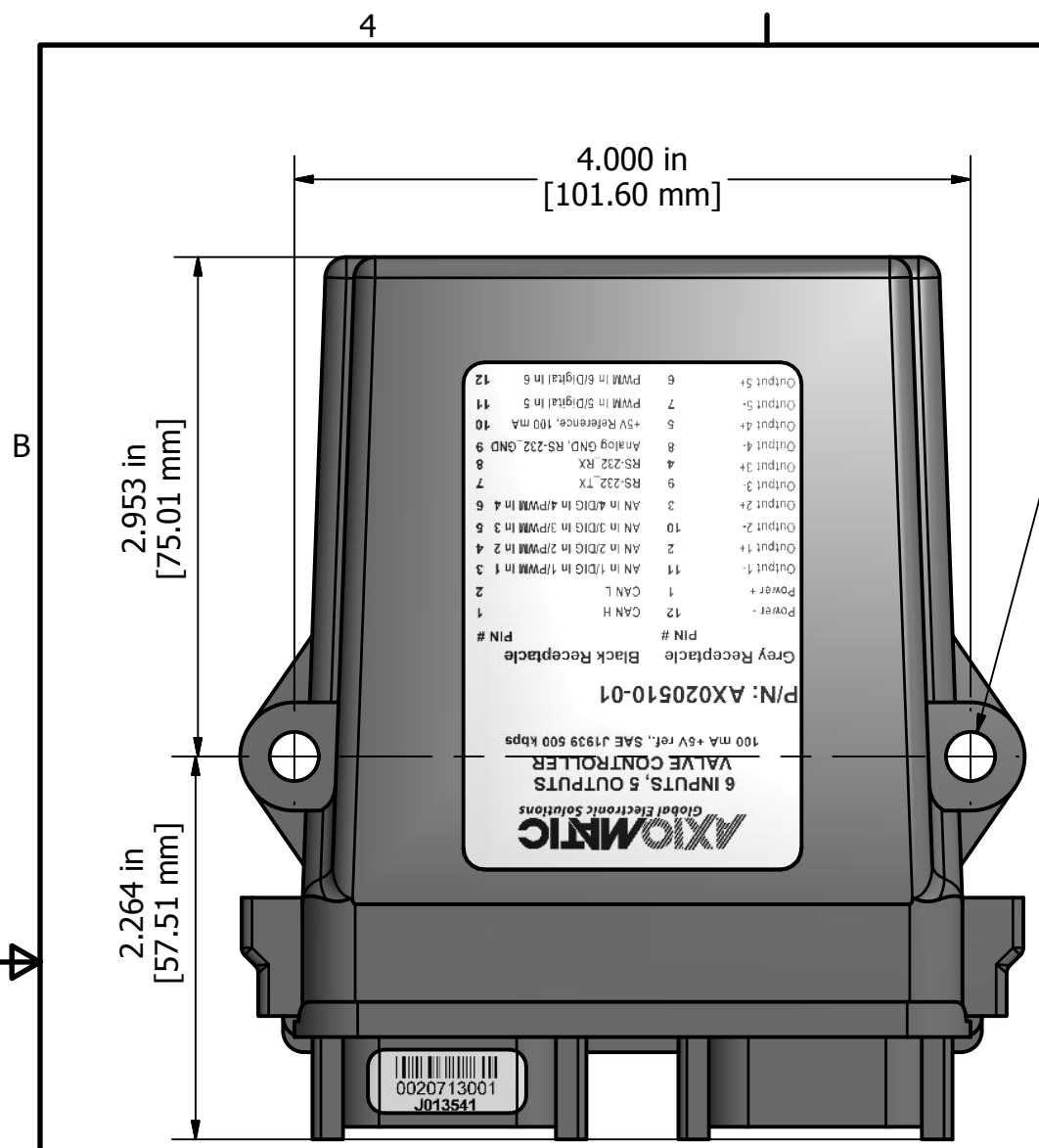
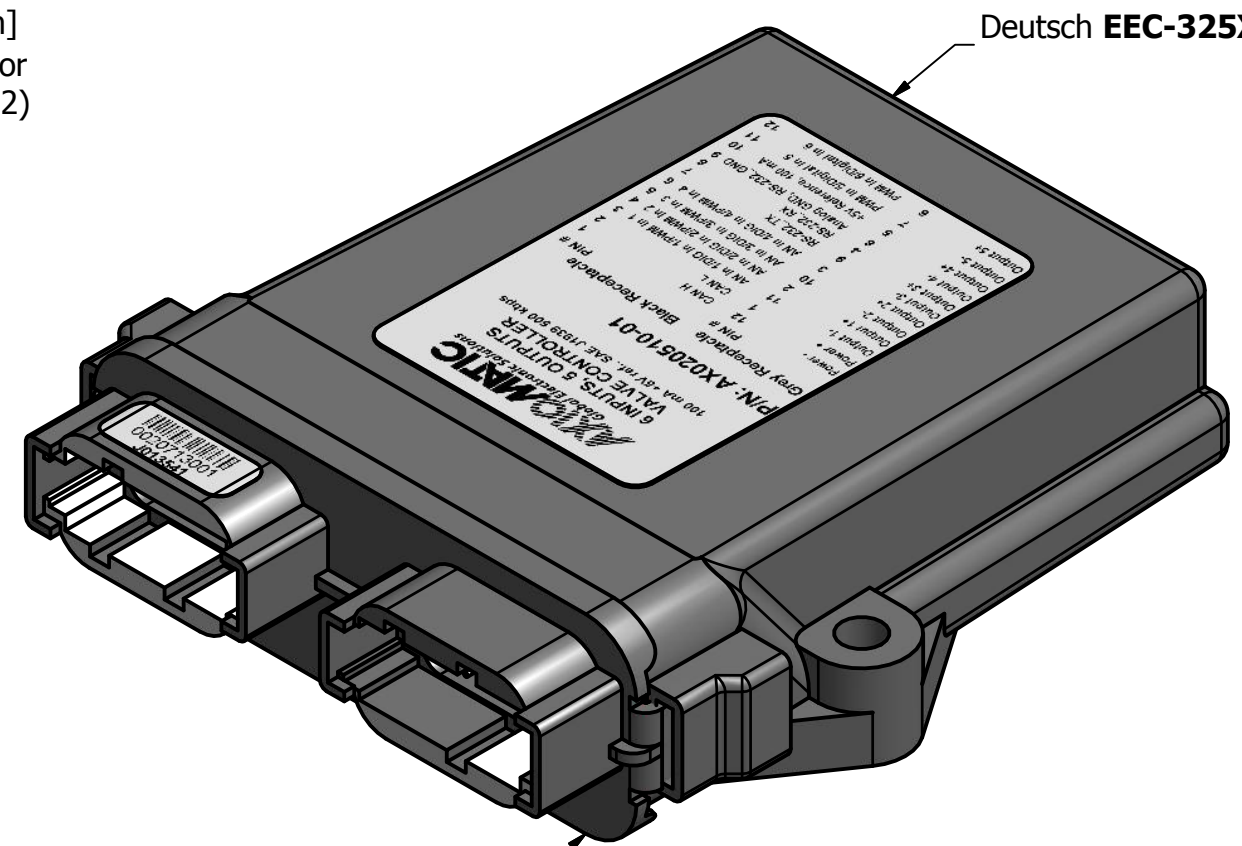


REVISION			
REV	DESCRIPTION	DATE	APPROV
A-D1	release to production (ECN15-0024)	April 30-2015	NM



Ø0.290 in
[7.37 mm]
to suit M6 or
1/4" bolt (2)



Deutsch **EEC-325X4B** housing

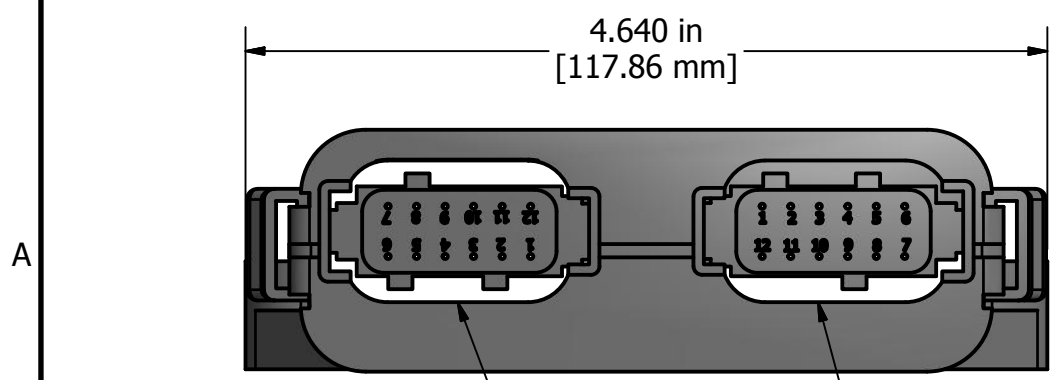
Deutsch **DTM13-12PA-12PB-R008**
connector endplate

AXIOMATIC
Global Electronic Solutions

**6 INPUTS, 5 OUTPUTS
VALVE CONTROLLER**
100 mA +5V ref., SAE J1939 500 kbps

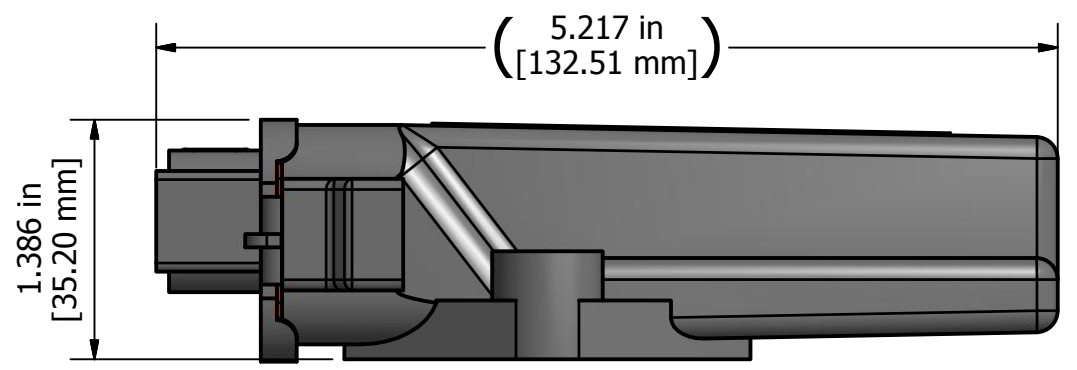
P/N: AX020510-01

	Grey Receptacle	Black Receptacle
	PIN #	PIN #
Power -	12 CAN H	1
Power +	1 CAN L	2
Output 1-	11 AN In 1/DIG In 1/PWM In 1	3
Output 1+	2 AN In 2/DIG In 2/PWM In 2	4
Output 2-	10 AN In 3/DIG In 3/PWM In 3	5
Output 2+	3 AN In 4/DIG In 4/PWM In 4	6
Output 3-	9 RS-232_TX	7
Output 3+	4 RS-232_RX	8
Output 4-	8 Analog GND, RS-232_GND	9
Output 4+	5 +5V Reference, 100 mA	10
Output 5-	7 PWM In 5/Digital In 5	11
Output 5+	6 PWM In 6/Digital In 6	12



gray receptacle keyed "A"
mates with: **DTM06-12SA** plug

black receptacle keyed "B"
mates with: **DTM06-12SB** plug



TOLERANCES		MATERIAL nylon 6/6 housing with silicone gasket	DRAWN DATE 06/08/2014	TITLE 6 Input, 5 Output Valve Controller, SAEJ1939, 500 kbps				
fabrication	machining			DWG REV	DWG NO	PART REV		
X.XXX +/- 0.015	X.XXX +/- 0.005		CHECKED	DL	D1	FG-AX020510-01	A	
X.XX +/- 0.031	X.XX +/- 0.010		APPROVED	DL	SCALE	full	PART NO	FG-AX020510-01
X.X +/- 0.031	X.X +/- 0.015						SHEET	1 of 1
fractional +/- 0.031	fractional +/- 0.031							

AXIOMATIC
Global Electronic Solutions

AXIOMATIC TECHNOLOGIES CORPORATION
5915 WALLACE ST.
MISSISSAUGA, ON
CANADA L4Z1Z8
905-602-9270