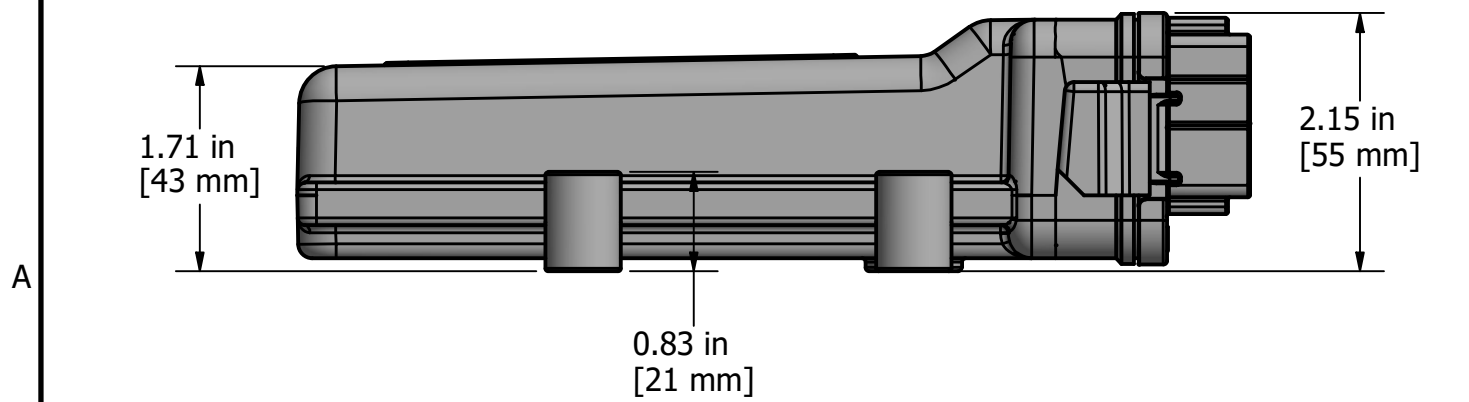
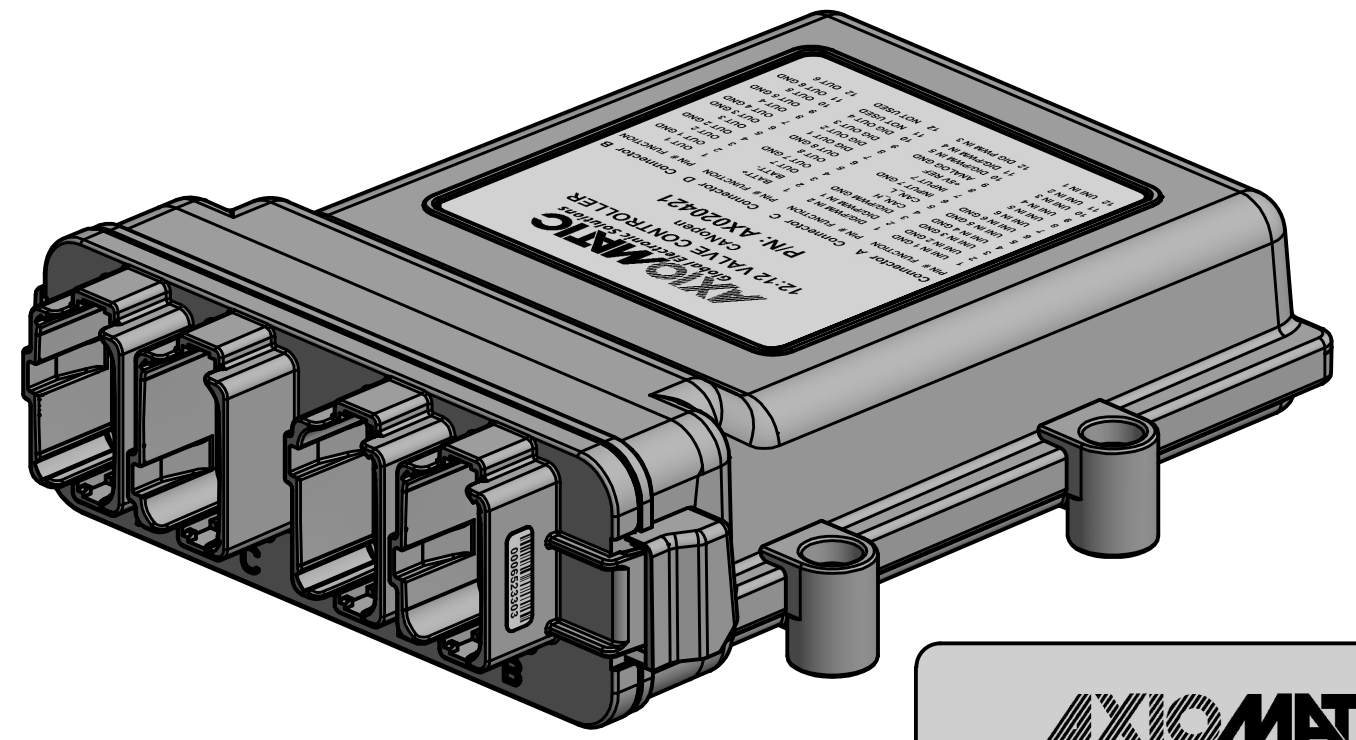


<b>AXIOMATIC</b> Global Electronic Solutions <b>12:12 VALVE CONTROLLER</b> CANopen P/N: AX020421	
<b>Connector A</b> PIN # FUNCTION 1 UNI IN 1 GND 2 UNI IN 2 GND 3 UNI IN 3 GND 4 UNI IN 4 GND 5 UNI IN 5 GND 6 UNI IN 6 GND 7 UNI IN 6 8 UNI IN 5 9 UNI IN 4 10 UNI IN 3 11 UNI IN 2 12 UNI IN 1	<b>Connector B</b> PIN # FUNCTION 1 BATT+ 2 BATT- 3 OUT 1 GND 4 OUT 2 GND 5 OUT 3 GND 6 OUT 3 GND 7 OUT 4 GND 8 OUT 4 GND 9 OUT 5 GND 10 OUT 5 GND 11 NOT USED 12 OUT 6
<b>Connector C</b> PIN # FUNCTION 1 DIG/PWM IN 2 2 DIG/PWM IN 1 3 DIG/PWM GND 4 CAN_H 5 CAN_L 6 INPUT 7 7 DIG OUT 1 8 DIG OUT 2 9 DIG OUT 3 10 DIG OUT 4 11 NOT USED 12 DIG PWM IN 3	<b>Connector D</b> PIN # FUNCTION 1 BATT+ 2 BATT- 3 OUT 7 4 OUT 7 GND 5 OUT 8 6 OUT 8 GND 7 DIG OUT 1 8 DIG OUT 2 9 DIG OUT 3 10 DIG OUT 4 11 NOT USED 12 OUT 6

Ø0.31 in [Ø7.9 mm] to suit a 5/16" or M8 bolt (4)



REVISION HISTORY			
REV	DESCRIPTION	DATE	APPROVED
P1-D1	PRODUCTION PILOT	November 03-2023	GDV

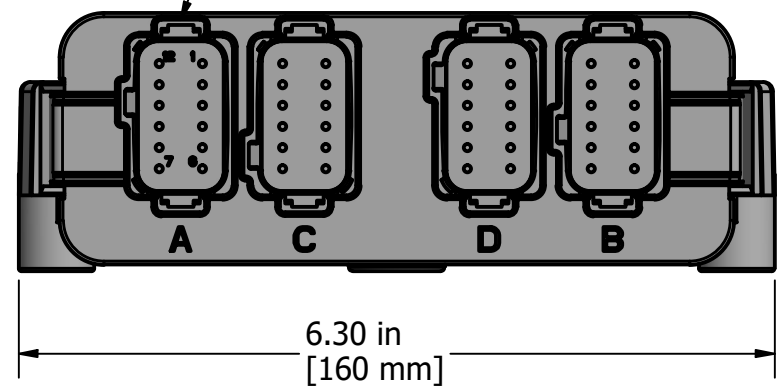


**12:12 VALVE CONTROLLER**  
CANopen  
P/N: AX020421

Connector A	Connector C	Connector D	Connector B				
PIN #	FUNCTION	PIN #	FUNCTION				
1	UNI IN 1 GND	1	DIG/PWM IN 2	1	BATT+	1	OUT 1
2	UNI IN 2 GND	2	DIG/PWM IN 1	2	BATT-	2	OUT 1 GND
3	UNI IN 3 GND	3	DIG/PWM GND	3	OUT 7	3	OUT 2
4	UNI IN 4 GND	4	CAN_H	4	OUT 7 GND	4	OUT 2 GND
5	UNI IN 5 GND	5	CAN_L	5	OUT 8	5	OUT 3
6	UNI IN 6 GND	6	INPUT 7 GND	6	OUT 8 GND	6	OUT 3 GND
7	UNI IN 6	7	INPUT 7	7	DIG OUT 1	7	OUT 4 GND
8	UNI IN 5	8	+5V REF	8	DIG OUT 2	8	OUT 4
9	UNI IN 4	9	ANALOG GND	9	DIG OUT 3	9	OUT 5 GND
10	UNI IN 3	10	DIG/PWM IN 5	10	DIG OUT 4	10	OUT 5
11	UNI IN 2	11	DIG/PWM IN 4	11	NOT USED	11	OUT 6 GND
12	UNI IN 1	12	DIG PWM IN 3	12	NOT USED	12	OUT 6

**UNIT LABEL**

TE Deutsch DT13-48PABCD-R015 mates with TE Deutsch DT06-12S plugs, all modifications, keyed A - B - C - D



DIMENSIONS ARE IN mm UNLESS OTHERWISE SPECIFIED IN DRAWING TOLERANCE ON: X.X ± 0.5 X ± 1 ANGLES ± 1.0		MATERIAL: NA FINISH: NA THIRD ANGLE PROJECTION	DRAWN: HS CHECKED: TF INVENTOR: GDV DATE: 2023-11-03	TITLE: 12 Universal Input 12 Output Valve Controller, J1939 DWG REV: D1 SCALE: 0.75	DWG NO: AX020421-MD PART NO: AX020421	PART REV: P1 SHEET: 1 of 1
---	--	--	---	---	--	-------------------------------

PROPRIETARY  
 THE INFORMATION CONTAINED IN THIS DRAWING IS CONFIDENTIAL AND PROPRIETARY AND REMAINS THE EXCLUSIVE PROPERTY OF AXIOMATIC TECHNOLOGIES CORPORATION. THIS DRAWING MAY NOT BE USED, REPRODUCED IN WHOLE OR IN PART, NOR REVEALED TO OTHERS WITHOUT THE PRIOR WRITTEN CONSENT OF AXIOMATIC TECHNOLOGIES CORPORATION. BY ACCEPTANCE OF THIS DRAWING, THE BEARER AGREES TO THESE CONDITIONS.

AXIOMATIC TECHNOLOGIES CORPORATION  
 1445 Courtneypark Dr.  
 MISSISSAUGA, ON  
 CANADA L5T 2E3  
 905-602-9270