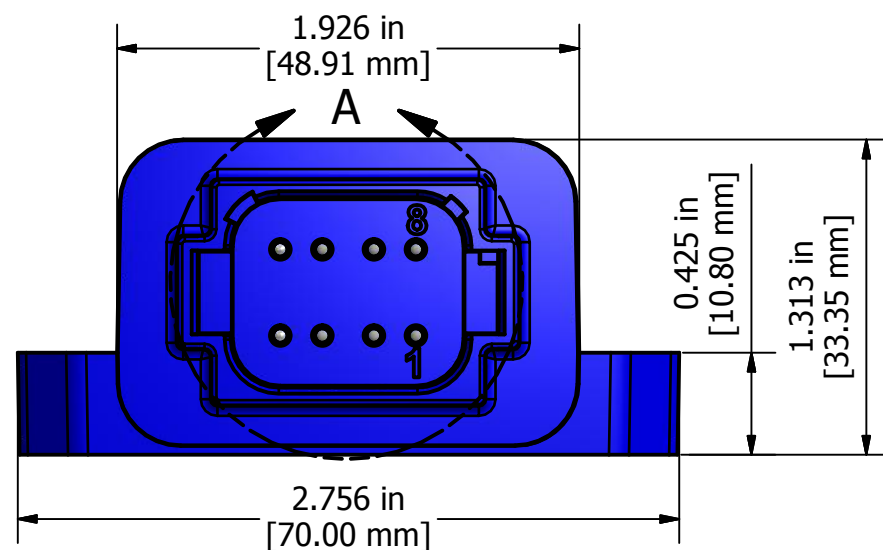
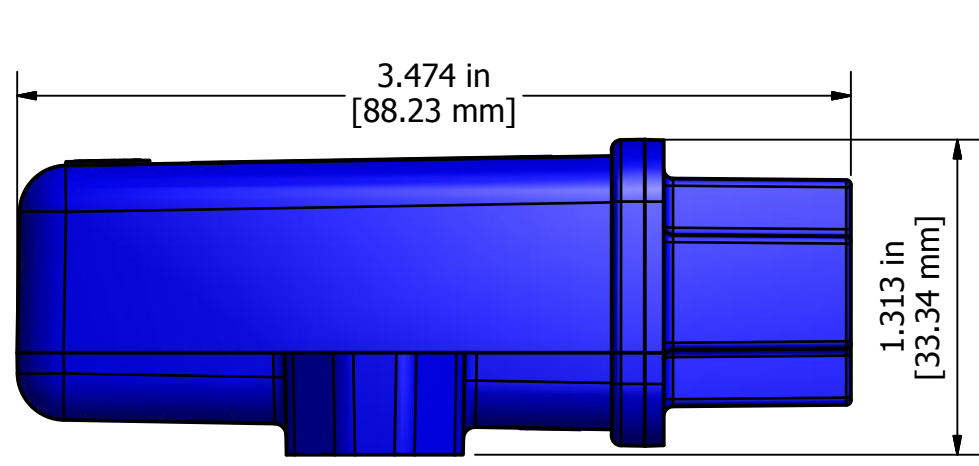
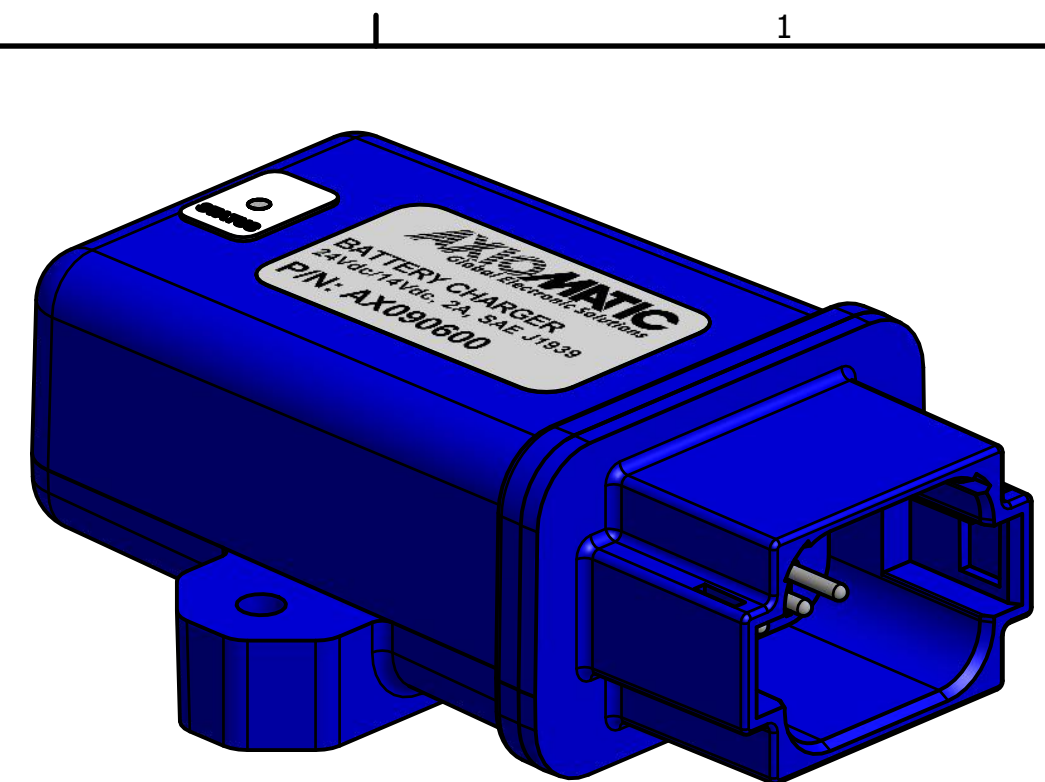


**DETAIL A**  
 molded in Deutsch IPD receptacle,  
 based on DT04-08PA, mates  
 with DT06-08SA



**AXIOMATIC**  
 Global Electronic Solutions

**BATTERY CHARGER**  
 24Vdc/14Vdc, 2A, SAE J1939

**P/N: AX090600**

<small>PROPRIETARY</small> THE INFORMATION CONTAINED IN THIS DRAWING IS CONFIDENTIAL AND PROPRIETARY AND REMAINS THE EXCLUSIVE PROPERTY OF AXIOMATIC TECHNOLOGIES CORPORATION. THIS DRAWING MAY NOT BE USED, REPRODUCED IN WHOLE OR IN PART, NOR REVEALED TO OTHERS WITHOUT THE PRIOR WRITTEN CONSENT OF AXIOMATIC TECHNOLOGIES CORPORATION. BY ACCEPTANCE OF THIS DRAWING, THE BEARER AGREES TO THESE CONDITIONS.		<small>AXIOMATIC TECHNOLOGIES CORPORATION</small> <b>AXIOMATIC</b> Global Electronic Solutions 5915 WALLACE ST. MISSISSAUGA, ON CANADA L4Z 1Z8 905-602-9270						
<b>TOLERANCES</b> fabrication +/- 0.015" X.XXX +/- 0.015" X.XX +/- 0.031" X.X +/- 0.031" fractional +/- 0.031" machining +/- 0.005" X.XXX +/- 0.005" X.XX +/- 0.010" X.X +/- 0.015" fractional +/- 0.031"		MATERIAL  FINISH	DRAWN <b>TF</b> CHECKED  APPROVED	DATE <b>8/1/2019</b>  DATE	TITLE <b>24Vdc to 14Vdc, 2A Charger/Converter, SAE J1939</b>	DWG REV <b>D1</b>	DWG NO <b>AX090600-MD</b>	PART REV <b>3</b>
		SCALE <b>full</b>	PART NO <b>AX090600</b>	SHEET <b>1 of 1</b>				