

4 3 2 1

60.6 mm [2.385 in]

3.8 mm [0.150 in]

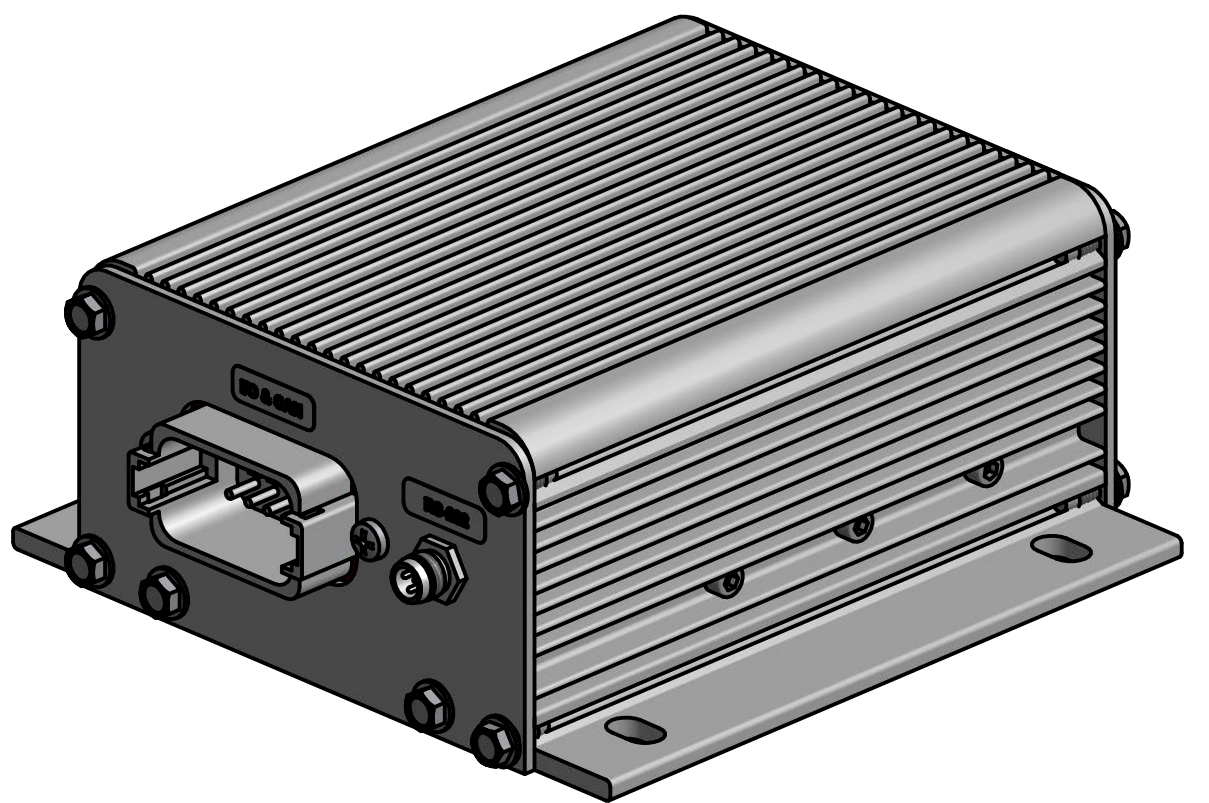
Molex 1200900020 RS-232

Deutsch IPD DT13-12PA I/O & CAN

11.1 mm [0.438 in]

6.7 mm [0.265 in]

DETAIL A
mounting holes

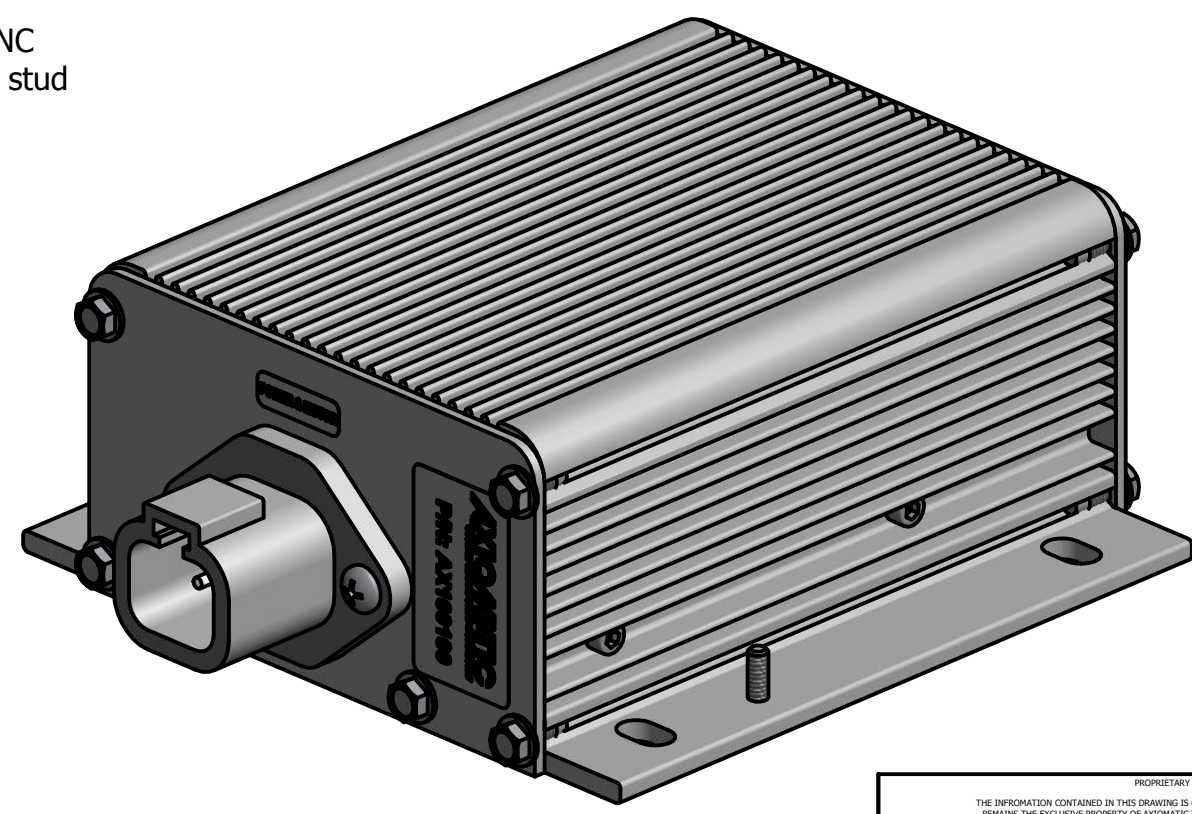


117.5 mm [4.625 in]

133.6 mm [5.260 in]

99.6 mm [3.921 in]

8-32 UNC ground stud



139.7 mm [5.500 in]

104.2 mm [4.102 in]

Deutsch IPD DTP04-4P-L012 POWER & MOTOR

TOLERANCES			
fabrication		machining	
X.XXX	+/- 0.015	X.XXX	+/- 0.005
X.XX	+/- 0.031	X.XX	+/- 0.010
X.X	+/- 0.031	X.X	+/- 0.015
fractional	+/- 0.031	fractional	+/- 0.031

<small>PROPRIETARY</small> THE INFORMATION CONTAINED IN THIS DRAWING IS CONFIDENTIAL AND PROPRIETARY AND REMAINS THE EXCLUSIVE PROPERTY OF AXIOMATIC TECHNOLOGIES CORPORATION. THIS DRAWING MAY NOT BE USED, REPRODUCED IN WHOLE OR IN PART, NOR REVEALED TO OTHERS WITHOUT THE PRIOR WRITTEN CONSENT OF AXIOMATIC TECHNOLOGIES CORPORATION. BY ACCEPTANCE OF THIS DRAWING, THE BEARER AGREES TO THESE CONDITIONS.		<small>AXIOMATIC TECHNOLOGIES CORPORATION</small> AXIOMATIC Global Electronic Solutions <small>5915 WALLACE ST. MISSISSAUGA, ON CANADA L4Z1Z8 905-602-9270</small>	
MATERIAL	DRAWN	DATE	TITLE
aluminum extrusion and endcaps	TF	04/07/2014	25A DC Motor Controller, SAE J1939
FINISH	CHECKED	DATE	DWG REV
anodized clear satin	DL		D1
	APPROVED	DATE	SCALE
	DL		full
			DWG NO
			AX100100-MD-A
			PART NO
			AX100100
			SHEET
			1 of 1